



The ATEX range - safe & competent
Lifting experience

www.cmco.eu

Why explosion protection?

Explosion protection for electrical and mechanical machinery is an important precautionary measure to ensure the safety of persons and all kinds of production, storage and distribution systems, when explosive mixtures of combustible gases, dusts and air may occur.

What does explosion protection achieve?

Explosion protection can mean to generally prevent the occurrence of an explosive mixture. Explosion protection can also be achieved by eliminating potential ignition sources in advance, e.g. high temperatures and sparking by designing components accordingly and by permanent monitoring of operation, or by using a flame-proof enclosure for the source of ignition to protect the surrounding area against possible effects of an internal explosion.

Examples of explosion hazards in various industries:

Chemical industry

In the chemical industry, combustible gases, liquids and solids are converted and processed in various procedures. Explosive mixtures may be created during these processes.

Waste disposal sites

At waste disposal sites, combustible gases may form. Comprehensive technical measures are required to prevent their uncontrolled escaping and possible ignition.

Energy production companies

Coal dust, which may form explosive dust/air mixtures, may occur during production, breaking and drying from coal lumps which themselves are not explosive with air.

Waste management companies

The fermentation gases released during treatment of waste water in waste water treatment plants may form explosive gas/air mixtures.

Gas suppliers

If natural gas escapes through leakages or similar, explosive gas/air mixtures may be created.

Metal processing companies

During the production of formed metal parts, explosive metal dusts may occur during surface treatment (grinding). This applies in particular to light metals. These metal dusts may cause an explosion risk in separators.

Wood-processing companies

When processing wood workpieces, wood dust occurs, which may form explosive dust/air mixtures in filters or silos for example.

Paint shops

Overspray, which may occur during painting of surfaces using spray guns as well as any released solvent vapours, may form an explosive atmosphere with air.

Agriculture

Some agricultural facilities operate systems for the production of biogas. If biogas escapes as a consequence of leakages, for example, explosive biogas/air mixtures may form.

Food and feeding-stuffs industry

During the transportation and storage of grain, sugar, etc. explosive dusts may occur. When these are evacuated and separated using filters, an explosive atmosphere may occur in the filter.

Pharmaceutical industry

In pharmaceutical production, alcohols are frequently used as solvents. Furthermore, active and auxiliary substances with a dust explosion hazard may also be used.

Refineries

The hydrocarbons processed in refineries are all combustible and, depending on their flash point, are capable of causing an explosive atmosphere even at ambient temperatures.

Recycling companies

When processing recycling waste, explosion hazards may be caused by cans which are not completely empty or other containers with combustible gases and/or liquids; explosion hazards may also be caused by paper or plastic dust.

Cooperation of parties involved

Obligations of user, installer and manufacturer

Close cooperation of all parties involved is essential for the safety in potentially explosive areas.

The user is responsible for the safety of the installation. He has to assess possible explosion hazards and assign zones accordingly.

In addition, he is also responsible for ensuring that the equipment is installed in accordance with regulations and is tested before it is put into service for the first time. The equipment must be kept in appropriate condition by regular inspections and maintenance.

The installer must observe the relevant installation requirements and select and install the equipment correctly for its intended use.

Manufacturers of explosion-proof equipment must ensure that each device manufactured complies with the type-tested design.

Legal basis

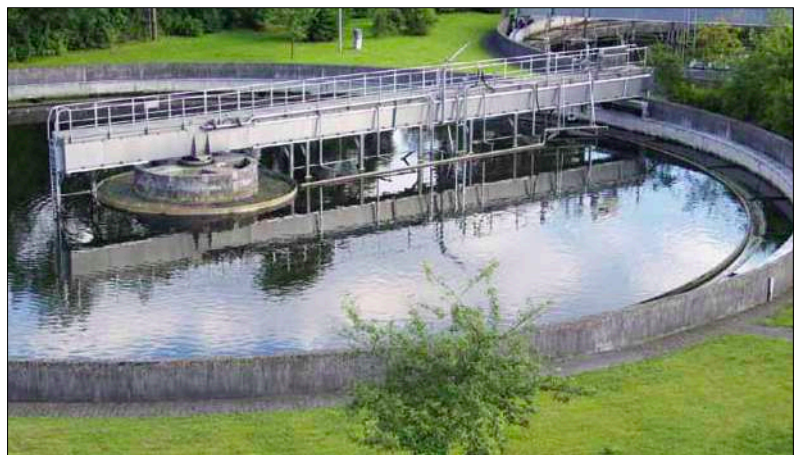
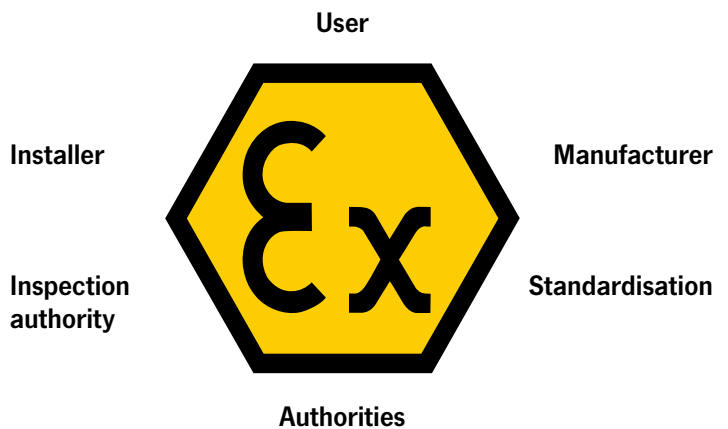
The acronym ATEX is the abbreviation of the French term "Atmosphères explosibles", which means explosive atmospheres. This designation is currently still used as a synonym for these two directives of the European Union: 94/9/EC (ATEX 95, previously ATEX 100a) and 99/92/EC (ATEX 137, previously ATEX 118a).

Directive 94/9/EC is primarily intended for manufacturers of explosion-proof equipment.

Directive 99/92/EC is primarily intended for users of installations with a potentially explosive atmosphere.

Risk assessment

For taking efficient measures in areas with an explosion hazard, a risk assessment – in accordance with national health and safety regulations taking into account national industrial safety acts as well as hazardous substances ordinances must be carried out first. If this risk assessment shows that the formation of explosive atmospheres is not safely prevented, the likelihood that explosive atmospheres will occur based on their frequency and persistence, the likelihood that ignition sources will be present and become active and effective and the scale of the anticipated effects of explosions must be determined. The results of the risk assessment must be recorded in the form of an **explosion protection document**.



Categories and zones

Requirements from the ATEX directives to be fulfilled by manufacturer and user

| Essential requirements to be fulfilled by the manufacturer according to 94/9/EC | Essential requirements to be fulfilled by the user according to 99/92/EC |
|---|--|
| Definition of the area for the use of equipment, specifications of equipment group II/category | Definition of zones in an installation; selection of the appropriate equipment |
| The equipment must comply with the essential safety and health requirements or the relevant standards | Compliance with the relevant requirements for installation, putting into service and maintenance |
| Category 1 Category 2 Category 3 | Zone 0/20 Zone 1/21 Zone 2/22 |
| Performance of a risk/ignition source assessment for the relevant equipment | Performance of a hazard analysis for the operating area; need for coordination |
| Compilation of a declaration of conformity | Compilation of an explosion protection document |
| Appropriate quality assurance | Regular updating |

Technical basis

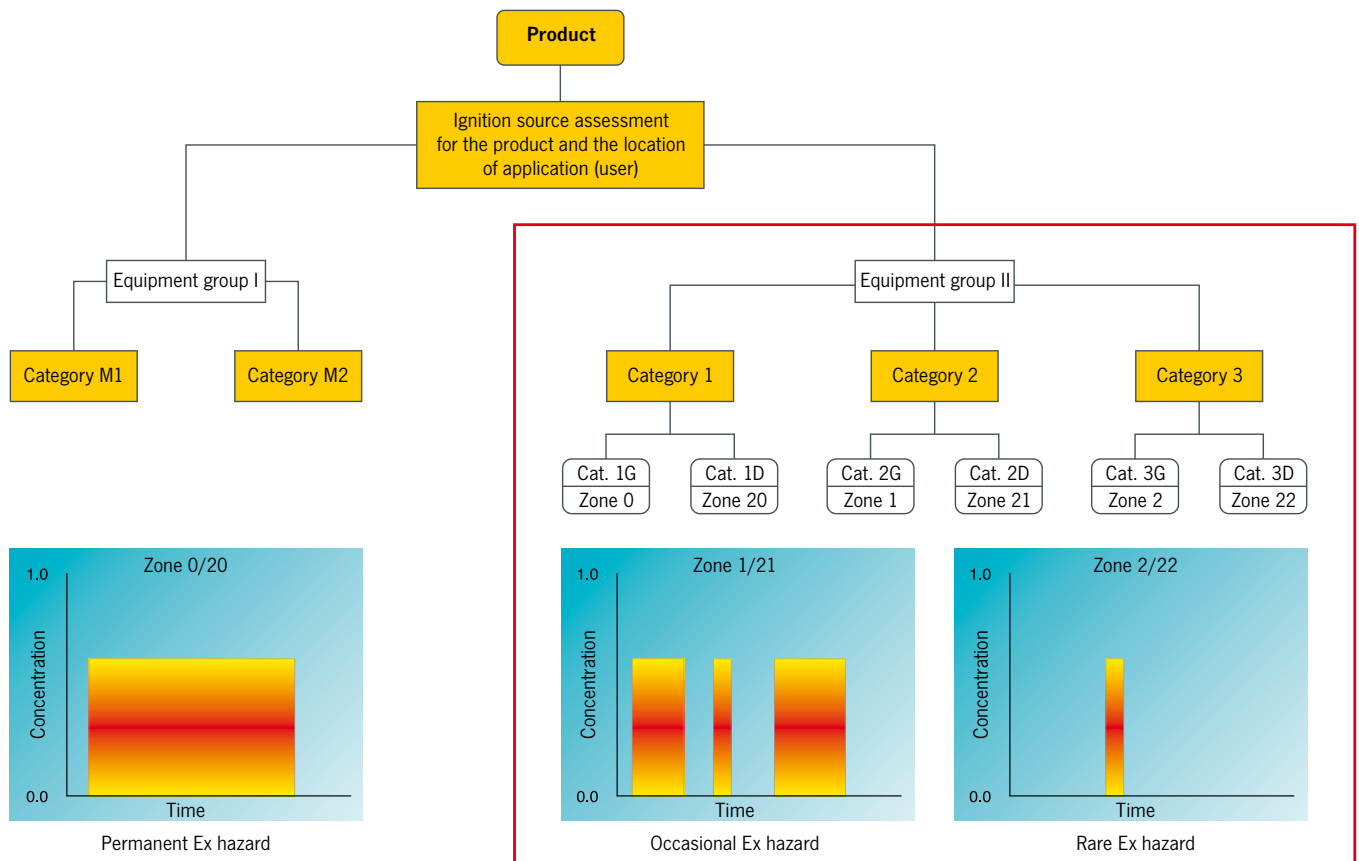
In Directive 94/9/EC, equipment for areas with an explosion hazard is assigned to groups, categories and temperature classes. This is necessary as the requirements for equipment need not be the same for every application and for every hazard classification.

Equipment group I (mines, firedamp and combustible dusts)

| Category M1 | Category M2 |
|--|--|
| Very high level of protection: Equipment must feature integrated explosion protection measures | High level of protection: Protection measures must ensure the required level of safety during normal operation also under arduous conditions and in particular heavy handling and under changing ambient conditions |
| The equipment must continue to operate in an explosive atmosphere even in the event of rare faults | It must be possible to switch off the equipment if an explosive atmosphere occurs |

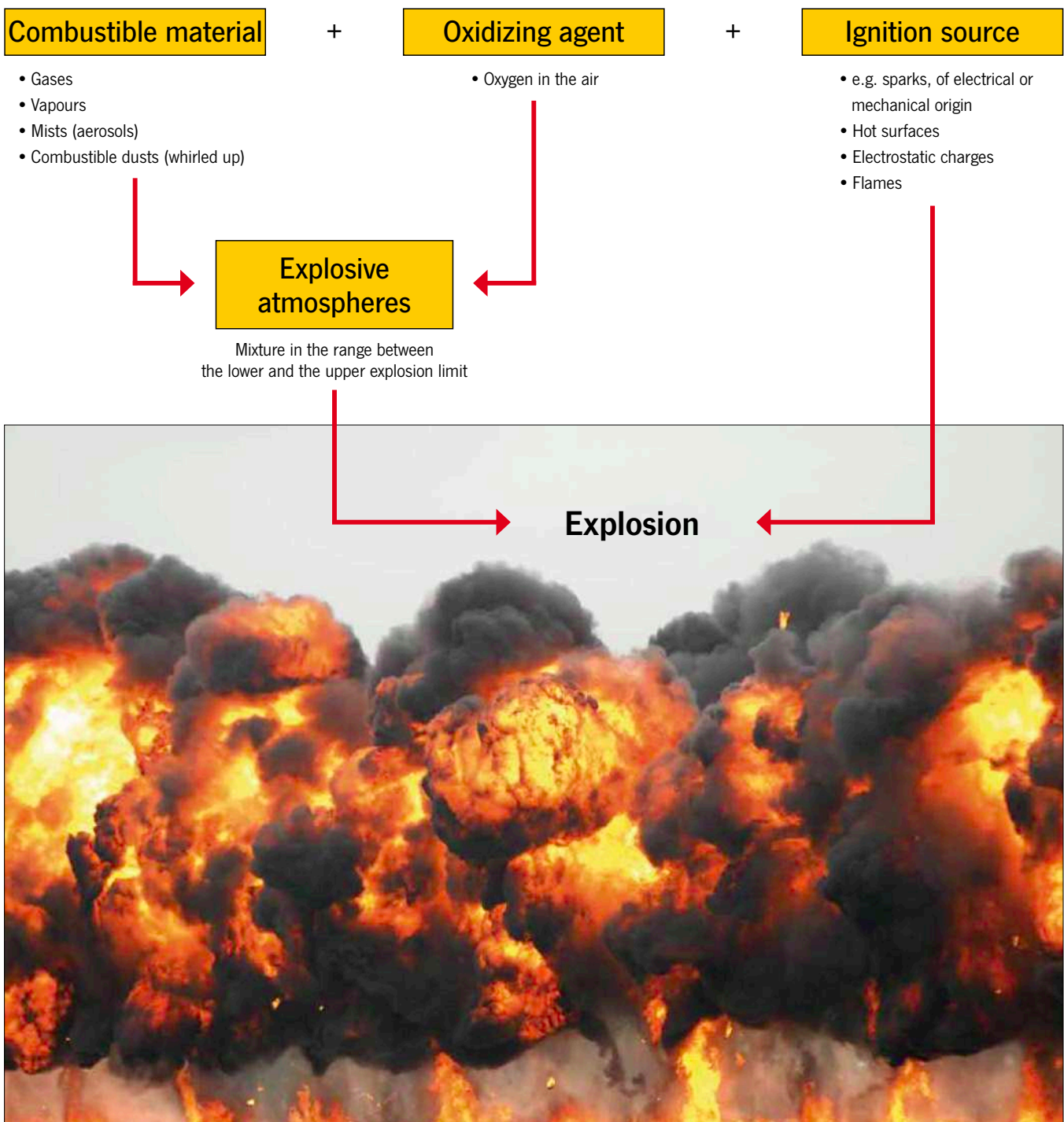
Equipment group II (explosive atmospheres caused by mixtures of gas/air or dust/air, vapours or mists)

| Category | Zone | | Equipment safety | Explosive atmosphere |
|----------|---------|----------|--|--|
| | G [Gas] | D [Dust] | | |
| 1 | 0 | 20 | Equipment which ensures a very high level of safety. In the event of rare equipment faults. | Intended for use in areas in which explosive atmospheres caused by mixtures of air and gases, vapours or mists or by air/dust mixtures are present continuously, for long periods or frequently. |
| 2 | 1 | 21 | Equipment which ensures a high level of safety. If equipment faults are to be expected. | Intended for use in areas in which explosive atmospheres caused by mixtures of air and gases, vapours or mists or by air/dust mixtures are likely to occur occasionally. |
| 3 | 2 | 22 | Equipment which ensures a normal level of safety. For normal operation | Intended for use in areas in which explosive atmospheres caused by gases, vapours or mists or whirled up dust are unlikely to occur or, if they do occur, are likely to do so only infrequently and for a short period. |



Preconditions for an explosion

Explosive atmospheres may occur wherever combustible gases, vapours, mists or dusts can form. These are mixtures which produce a chemical reaction when they meet the oxygen in the air; this reaction may trigger an explosion, even if only an extremely small spark occurs.



Explosion limits

In order to prevent an explosion, the relevant key data of combustible substances must be observed.

Mixtures can only cause an explosive ignition within a specific range. This is defined by the lower and the upper explosion limit.

Explosion limits of selected gases and vapours

| Substance designation | Explosion limits in air | |
|-----------------------|-------------------------|-----------------|
| | Lower volumes % | Upper volumes % |
| Acetone | 2.5 | 13.0 |
| Benzol | 1.2 | 8.0 |
| Methane | 5.0 | 15.0 |
| City gas | 4.0 | 30.0 |
| Hydrogen | 4.0 | 75.6 |

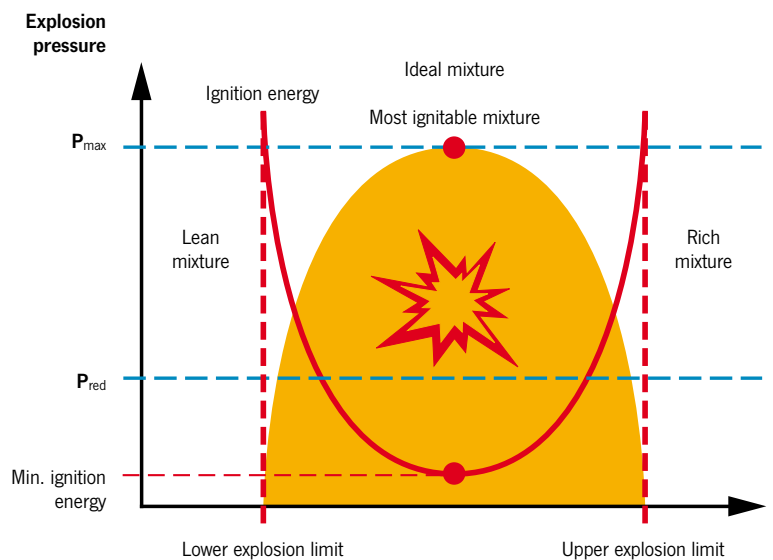
Minimum ignition energy

The minimum ignition energy is an explosion related parameter.

It describes the ignition sensitivity compared to the discharge of static electricity.

Examples for minimum ignition energy

| Substance designation | Min. ignition energy |
|-----------------------|----------------------|
| Mustard seed oil | 3.8 mJ |
| Methane | 0.29 mJ |
| Ethylene | 0.082 mJ |
| Hydrogen | 0.017 mJ |



| Primary explosion protection | Secondary explosion protection | Tertiary explosion protection |
|--|---|--|
| Prevent the formation of potentially explosive atmospheres | Prevent the ignition of potentially explosive atmospheres | Restrict the effects of an explosion |
| Inerting* | Open flames | Explosion-pressure resistant design |
| Limit concentration under the lower explosion limit | Hot gases | Pressure compensation surfaces for buildings |
| | Hot surfaces | Explosion suppression |
| | Electrical sparks | |
| | Atmospheric discharge | |

*Inerting substances

Inerting substances means their transformation or processing into slow-reacting (inert) substances. Inert substances are, for example, inert gases, glass and porcelain. In refuse dump systems, inerting is used, for example, to render hazardous waste substances harmless. Substances containing heavy metal, which are radioactive or otherwise detrimental, are, for example, often glazed in order to make it possible to finally dispose of them.

Inerting rooms

Inerting rooms means to displace the oxygen contents in the air or potentially reactive or explosive gases or gas mixtures in rooms by adding inert gases or vapours. When inerting as a protection against fire and explosion (industry example: chemicals storage or production facilities), the oxygen contents in the air are displaced by adding inert gas (e.g. argon, nitrogen, carbon dioxide) in order to prevent an explosive atmosphere. In fire protection, this is also called "active fire prevention by permanent inerting".

Temperature classes

The ignition temperature is the lowest temperature of a heated surface at which the gas/air or vapour/air mixture ignites. In other words, it represents the lowest temperature value at which a hot surface is capable of igniting the corresponding explosive atmosphere.

Thus the highest surface temperature of any equipment must always be less than the ignition temperature of the gas/air or vapour/air mixture.

Temperature classes

| Temperature classes | Permissible max. surface temperature of the equipment | Ignition temperature range of the mixtures |
|---------------------|---|--|
| T1 | 450 °C | > 450 °C |
| T2 | 300 °C | > 300... ≤ 450 °C |
| T3 | 200 °C | > 200... ≤ 300 °C |
| T4 | 135 °C | > 135... ≤ 200 °C |
| T5 | 100 °C | > 100... ≤ 135 °C |
| T6 | 85 °C | > 85... ≤ 100 °C |

Explosion groups

Equipment of group II, for appropriate use in explosive gas atmospheres may also be classified by the type of explosive area.

Explosion groups

| Explosion group of the explosive atmosphere | Equipment with marking of the explosion group which may be used in these atmospheres |
|---|--|
| IIA | IIA, IIB, IIC |
| IIB | IIB, IIC |
| IIC | IIC |

This classification is based on the Maximum Experimental Safe Gap (MESG) and the Minimum Ignition Current (MIC) of the gas mixture (see IEC 60079-12) or the explosion groups can also be used for classification of the equipment based on their inflammability.

Explosion groups and maximum experimental safe gap

| Explosion group | Maximum experimental safe gap |
|-----------------|-------------------------------|
| IIA | > 0.9 mm |
| IIB | ≤ 0.9 - ≥ 0.5 mm |
| IIC | < 0.5 mm |



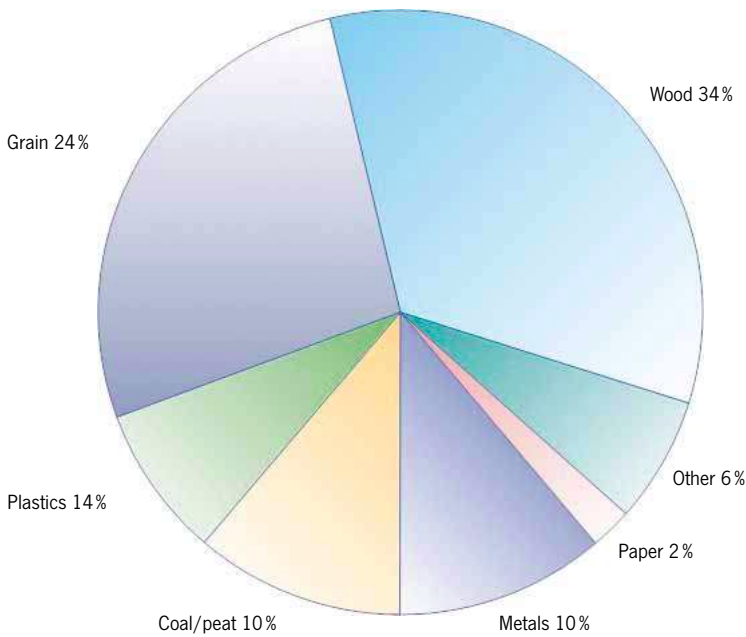
Classification of combustible gases, vapours and mists

Explosion groups and temperature classes of some gases and vapours (selection)

Classification of combustible gases, vapours, mists

| Ex group | Temperature classes | | | | | |
|------------|---|------------------|--------------------|---------------|---------------|-------------------|
| | T1 | T2 | T3 | T4 | T5 | T6 |
| | Ignition temperature range of the mixtures | | | | | |
| | > 450 °C | > 300 ≤ 450 °C | > 200 ≤ 300 °C | >135 ≤ 200 °C | >100 ≤ 135 °C | >85 ≤ 100 °C |
| | Permissible max. surface temperature of the equipment | | | | | |
| | 450 °C | 300 °C | 200 °C | 135 °C | 100 °C | 85 °C |
| IIA | Acetone | Ethanol | Petrol (general) | Acetaldehyde | | |
| | Ammonium | i-Amyl acetate | Diesel fuels | | | |
| | Benzene (pure) | n-Butane | Aircraft fuels | | | |
| | Acetic acid | n-Butanol | Fuel oil DIN 51603 | | | |
| | Ethane | Cyclohexan | n-Hexane | | | |
| | Ethyl acetate | Acetic anhydride | | | | |
| | Ethyl chloride | | | | | |
| | Carbon monoxide | | | | | |
| | Methane | | | | | |
| | Methanol | | | | | |
| | Methyl chloride | | | | | |
| | Naphthalene | | | | | |
| | Phenol | | | | | |
| | Propane | | | | | |
| | Toluene | | | | | |
| IIB | City gas | Ethylene | Ethylene glycol | Ethyl ether | | |
| | | Ethylene oxide | Hydrogen sulfide | | | |
| IIC | Hydrogen | Acetylene | | | | Carbon disulphide |





Dust-explosion protection

Today, in many industries, powder or dust-like products are processed or are by-products of the production process.

The vast majority of all dust-like substances pose a danger of fire or – under certain conditions – even explosion. A dust layer of only 1 mm in a closed room is already sufficient to trigger an explosion when the dust is whirled up and ignited.

The graphic shows that many different industries are affected by the hazard of dust, ranging from the food-stuffs and wood-processing industries, paper and plastic material production to the pharmaceutical industry. Compared with gas explosions, dust explosions have a different process of propagation which may in some cases be much more devastating. If a gas/air mixture is ignited, the pressure of the resulting explosion causes the gas cloud to dissipate rapidly and thus finally dilutes the gas/air mixture to a concentration lower than that necessary for further combustion. If no further gas is added, the explosion is over after several milliseconds.

With combustible dusts it is different: If, for example, a draft of air whirls up a layer of dust, the dust, together with oxygen, forms a combustible dust/air mixture. If this mixture is ignited by an ignition source, an explosion is triggered.

The resulting blast wave whirls up further dust layers, which are in turn also ignited. This process continues, and, under adverse conditions, “chain reactions” such as these sweep through entire buildings or facilities and destroy them.

As is the case with gases, there are various ignition sources for dusts, such as sparks generated by electrical or mechanical processes, electric arcs, open flames, electrostatic discharges, electromagnetic waves and others.

Permissible equipment IP code by zones and type of dust

| Zone 20 | Zone 21 Zone 22 electrically conductive dust | Zone 22 |
|-------------------|--|-------------------|
| IP 6X | IP 6X | IP 5X |
| Marking II 1 D | Marking II 2 D | Marking II 3 D |

Definitions in dust explosion protection

| Term | Definition | Remarks |
|---------------------------------|---|---|
| Explosive dust atmosphere | Mixture with air, under atmospheric conditions, of combustible substances in the form of dust or fibres in which, after ignition, combustion spreads throughout the entire unconsumed mixture. (DIN EN 50281-1-1,3,4) | The condition is that the process ends only after one reactant has been entirely consumed. |
| Atmospheric condition | Range of pressure between 0.8 and 1.1 bar Temperature range between -20 °C and +60 °C | |
| Hazardous explosive atmospheres | Explosive atmosphere in hazardous amount. The presence of a hazardous explosive atmosphere must be assumed if ignition causes an exothermal reaction that endangers persons, domestic animals and property | A thickness of a dust layer of less than 1 mm on the floor of a normal room is sufficient to fill it with a hazardous explosive atmosphere. |

Safety characteristics of dusts

| Characteristic | Definition/description | Remarks |
|--------------------------------------|---|---|
| Particle size | Dust with a particle size larger than 400 µm is not considered to be ignitable. Dust particles are ignitable when they measure less than 20 µm up to 400 µm. | Due to abrasion, the transportation and processing of coarse dust result in the formation of fine dust. |
| Explosion limits | For most dust/air mixtures of combustible substances the lower explosion limit is approx. 20... 60 g/m³ air and the upper explosion limit approx. 2... 6 kg/m³ air | In this case allocation of particle size, density, humidity as well as the ignition point is decisive. |
| Maximum explosion pressure | In enclosed containers of simple design, combustible dust can reach explosion pressures of 8... 10 bar. | For light metal dusts the explosion pressure can exceed this value. |
| KSt value | This is a classification value which expresses the shattering effect of the combustion. Numerically, it is equal to the value of the maximum rate of explosion pressure rise during the explosion of a dust/air mixture in a 1 m³ vessel. | This value is the basis for calculating explosion pressure relief surfaces. |
| Moisture | The moisture of a dust is a significant factor for its ignition and explosion behaviour. Currently it is only known that a higher moisture content requires a higher ignition energy and impedes the formation of dust swirls. | |
| Minimum ignition energy E_{min} | Lowest energy of an electrical spark which is sufficient to effect ignition of the critical (most easily ignitable explosive) dust/air mixture under defined framework conditions. | Not every spark is ignitable. The decisive factor is whether sufficient energy is introduced into the dust/air mixture to initiate a self-sustaining combustion of the entire mixture. |
| Ignition temperature T_{ig} | The lowest temperature of a hot inner wall (e.g. furnace) on which the dust/air mixture is ignited after brief contact. The surface temperature must not exceed 2/3 of the ignition temperature in °C of the relevant dust/air mixture, e.g. starch/milk powder/gelatine Ignition temperature 390 °C x 2/3 = 260 °C max. permissible surface temperature $T_{max} \leq \frac{2}{3} T_{ig}$ | |
| Smouldering temperature T_{sm} | The lowest temperature of a hot surface on which ignition occurs in a dust layer with a thickness of 5 mm. On surfaces where a dangerous deposit of ignitable dust is not effectively prevented, the surface temperature must not exceed the ignition temperature reduced by 75 K of the respective dust. With layer thicknesses over 5 mm, a further reduction of the temperature of the surface is necessary: e.g. wood, grinding dust Ignition temperature 290 °C - 75 °C = 215 °C max. permissible surface temperature $T_{max} \leq T_{sm} - 75 K$ | The smouldering temperature is usually well below the calculated ignition temperature of a dust cloud. The smouldering temperature decreases almost linearly with an increase in the layer thickness. For the acceptable surface temperatures safety clearances have to be adhered to. |



Explosion characteristics of dusts

Generally applicable values for dust-specific characteristics cannot be specified.

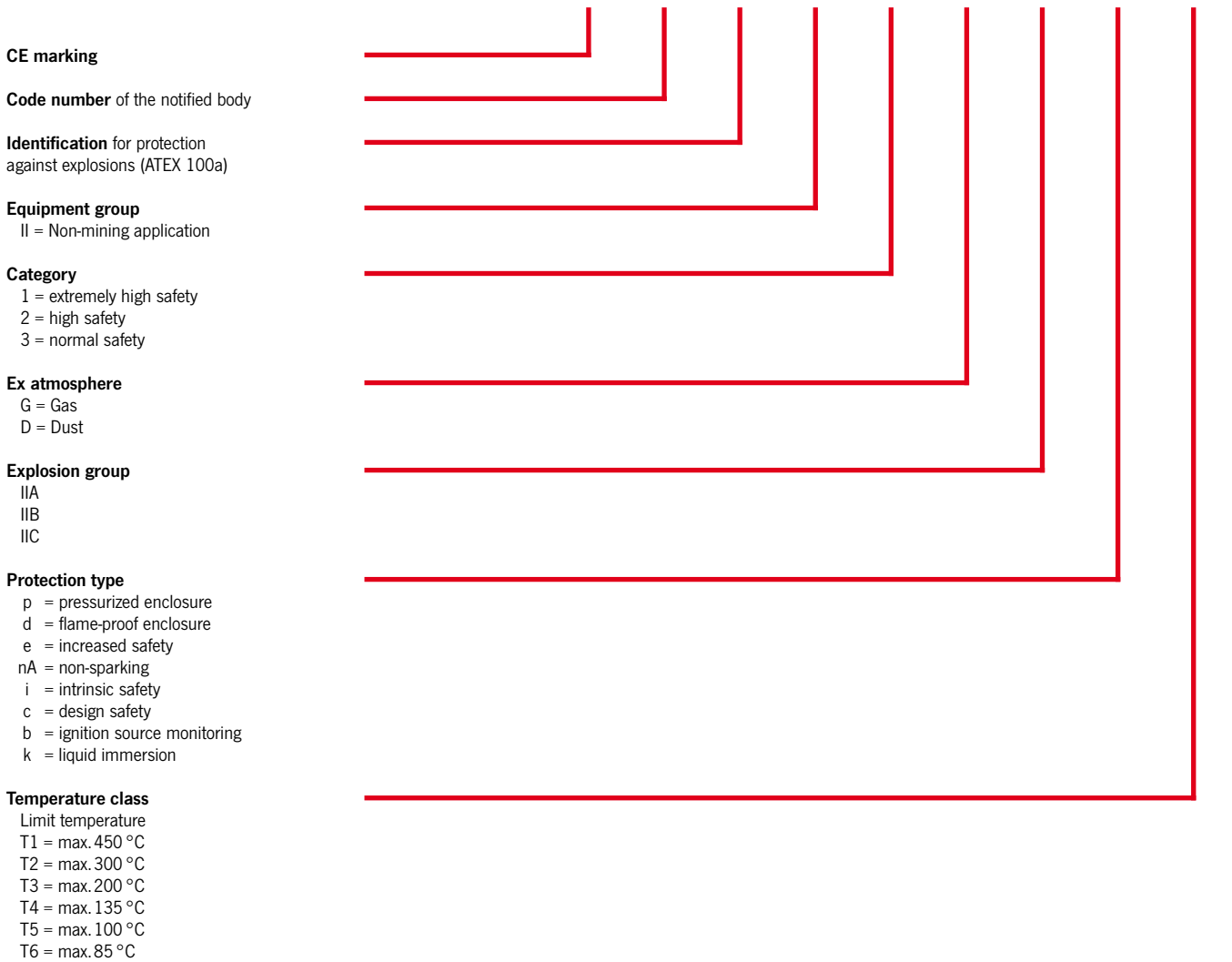
The table shows some limit values for selected products:

Examples of explosion characteristics of dusts

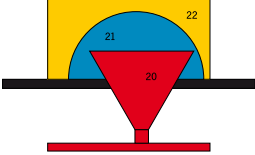
| Substance | T _{ic} [°C] | T _{il} [°C] | ØE _{min} [mJ] | min [mJ] |
|------------|----------------------|----------------------|------------------------|----------|
| Wood | ≥ 410 | ≥ 200 | ≥ 100 | 6 |
| Lignite | ≥ 380 | ≥ 225 | - | 5 |
| Coal | ≥ 500 | ≥ 240 | ≥ 1000 | 13 |
| PVC | ≥ 530 | ≥ 340 | ≥ 5 | < 1 |
| Aluminium | ≥ 560 | ≥ 270 | ≥ 5 | < 1 |
| Sulphur | ≥ 240 | ≥ 250 | 10 | 5 |
| Lycopodium | ≥ 410 | - | - | - |

Marking key

| | | | | | | | | | |
|---------|----|-----|--|----|---|---|-----|---|----|
| Example | CE | 123 |  | II | 2 | G | IIB | d | T3 |
|---------|----|-----|--|----|---|---|-----|---|----|



International comparison of zones in areas with an explosion hazard





| Country | Standard | Zone/division | | |
|---|-------------------|--|---|---|
| AS | AS 2430.2:1986 | Class II | | |
| GB | BS6467.2:1988 | Z | Y | |
| DE | VDE 0165:1991 | 10 | 11 | |
| USA | NEC 500-6: 2002 | Div. 1 | Div.2 | |
| EU | EN50281-3:2002 | 20 | 21 | 22 |
| INT | IEC 61241-10:2004 | 20 | 21 | 22 |
| EU | EN 61241-10:2005 | | | |
|  | | <p>Area in which an explosive atmosphere in the form of a cloud of combustible dust in air is present continuously, or for long periods or frequently.</p> | <p>Area in which an explosive atmosphere in the form of a cloud of combustible dust in air is likely to occur occasionally in normal operation.</p> | <p>Area in which during normal operation, it is not to be expected that an explosive atmosphere occurs in the form of a cloud of combustible dust in the air, if it does occur, however, only for a brief time.</p> |



Protection classification

| Design |
|--|
| Protection classification |
| Pneumatic chain hoist model CPA ATEX 1-13 up to 10-9 |
| Pneumatic chain hoist model CPA ATEX 20-8 up to 100-2 |
| Hand chain hoist model Yalelift 360 ATEX |
| Hand chain hoist with integrated push or geared type trolley model Yalelift 360 IT ATEX |
| Hand chain hoist with integrated push or geared type trolley (low headroom) model Yalelift 360 LH ATEX |
| Push and geared type trolley model HTP/G ATEX |
| Ratchet lever hoist model UNOplus ATEX |
| Electric winch model BETA-EX |
| Sheave block for rope guidance model DSRBX S |
| Hand winch with load pressure brake model OMEGA-EX |
| Rack and pinion jack model ZWW-EX |
| Hand pallet truck, stainless steel version model HU 20-115 VATP ATEX PROLINE |



| | BASIC | MEDIUM | HIGH | SPECIAL |
|--|---|--|--|--|
| |  II 3 GD c IIB T4/ II 2 GD c IIA T4 |  II 2 GD c (de) (ck) IIB T4 |  II 2 GD c IIC T4 |  I M2 |
| | X | X on request | | |
| | X | X | X | |
| | X | X | X | |
| | X | X | X | |
| | X | X | X | |
| | X | | X | |
| | X only II 3 GD c IIB T4 | | | X |
| | | X (de) | | |
| | | X | | |
| | | X (ck) | | |
| | | X | | |
| | | | X | |



! Due to the use of stainless steel load chains for the **HIGH** design a reduction of the load capacity is necessary. Please see the table "technical data" for the appropriate values.

BASIC

- Load chain galvanic zinc-plated, stainless steel hand chain
- Trolleys with buffer
- Brake with cooling element (only for model Yalelift)

MEDIUM

- Load chain galvanic zinc-plated, stainless steel hand chain
- Top and load hook copper-plated
- Trolley equipped with buffers and bronze trolley wheels
- Brake with cooling element (only for model Yalelift)

HIGH

- Stainless steel load and hand chain
- Load and top hook copper-plated
- Trolley equipped with buffers and bronze trolley wheels
- Brake with cooling element (only for model Yalelift)
- Conductive load rollers (only hand pallet truck)

SPECIAL

- Only for mining industry



Pneumatic chain hoist model CPA ATEX

Capacity 125 - 980 kg

Pneumatic chain hoists are characterized by high durability in a great number of industrial applications. The robust housing allows an easy transport.

Features


- Designed for operating pressures of 5 to 7 bar.
- Rotating piston motor with 100% duty rating and an unlimited number of starts for continuous operation.
- Integrated limit switches for highest and lowest hook position as standard.
- Self-adjusting automatic disc brake, maintenance-free.
- Extremely sensitive control with emergency-stop for a precise positioning of the load.
- Air release for brake as standard for models CPA 2-31, CPA 5-17 and CPA 10-9


Options

- Manual and powered trolleys with shackle to fit top hook suspended pneumatic chain hoists.
- All models available with push or geared trolley.
- Models CPA 2-31, CPA 5-17 and CPA 10-9 with pneumatic trolley on request.
- Models CPA 2-31, CPA 5-17 and CPA 10-9 also available for operation in hazardous areas, category 2 (Zone 1/21).
- Models CPA 2-31, CPA 5-17 and CPA 10-9 also available with chain control.
- Maintenance unit for main air supply pipe (pressure regulator, manometer, lubricator and support).
- Chain container

Applications

Automobile and aircraft industries, shipyards, on ships and docks. Foundries, on-/offshore, paint factories and paint shops, refineries, oil depots, galvanizing. Printing, textile and food industries, pulp, paper and cement mills. Glass and ceramic industries, wood working industries, chemical industries, heat treatment and power plants etc.

 Also suitable for operation with nitrogen.

 To ensure faultless operation the compressed air supply must be filtered and oiled!

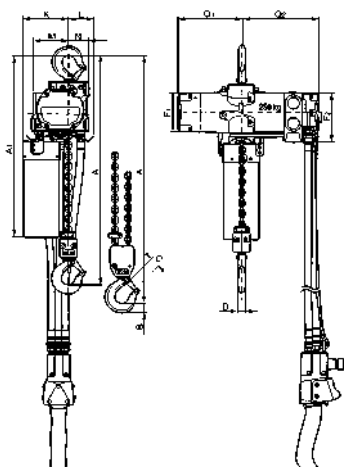
Technical data model CPA ATEX

| Model | EAN-No. 4025092* | Capacity in kg/ number of chain falls | Lifting speed with rated load* m/min. | Lifting speed without load* m/min. | Lowering speed with rated load* m/min. | Air consumption with rated load* m ³ /min. | Hoist motor kW | Weight at 3 m lift kg |
|---------------|---------------------|--|--|---|---|--|-----------------------|---------------------------------|
| CPA ATEX 1-13 | *911795 | 125/1 | 13.1 | 17.1 | 11.3 | 0.9 | 0.4 | 15.4 |
| CPA ATEX 2-10 | *911788 | 250/1 | 9.8 | 17.1 | 13.7 | 0.9 | 0.4 | 15.4 |
| CPA ATEX 2-31 | *911801 | 250/1 | 31.0 | 52.0 | 36.0 | 1.98 | 1.33 | 21.8 |
| CPA ATEX 5-5 | *911818 | 500/2 | 4.6 | 7.9 | 6.7 | 0.9 | 0.4 | 17.2 |
| CPA ATEX 5-17 | *911825 | 500/1 | 16.8 | 32.3 | 29.6 | 1.27 | 1.33 | 21.8 |
| CPA ATEX 10-9 | *911832 | 980/2 | 8.5 | 16.2 | 14.9 | 1.27 | 1.33 | 27.7 |

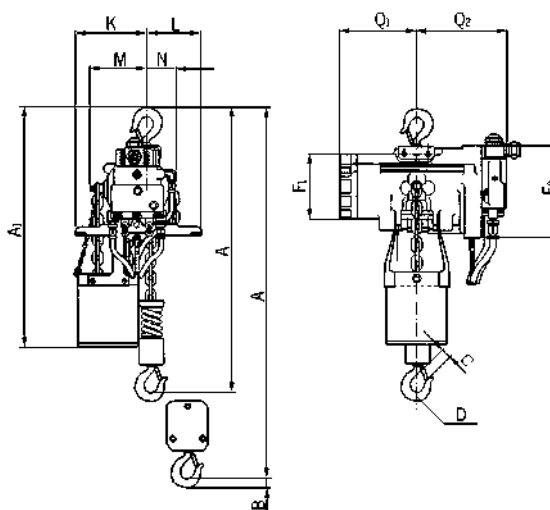
*Values for 6.3 bar (flow pressure) and 2 m control drop. Speeds will be reduced in case of longer control length.
Model CPA 1-13, CPA 2-10 and CPA 5-5 max. hose length 12 m, model CPA 2-31, CPA 5-17 and CPA 10-9 max. hose length 20 m.

Dimensions model CPA ATEX

| Model | CPA ATEX 1-13 | CPA ATEX 2-10 | CPA ATEX 2-31 | CPA ATEX 5-5 | CPA ATEX 5-17 | CPA ATEX 10-9 |
|--------|---------------|---------------|---------------|--------------|---------------|---------------|
| A, mm | 292 | 292 | 457 | 324 | 457 | 457 |
| A1, mm | 410 | 410 | 483 | 410 | 483 | 508 |
| B, mm | 21 | 21 | 25 | 14 | 25 | 27 |
| C, mm | 20 | 20 | 24 | 24 | 24 | 28 |
| D, mm | 16 | 16 | 26 | 14 | 26 | 28 |
| F1, mm | 90 | 90 | 130 | 90 | 130 | 130 |
| F2, mm | 120 | 120 | 180 | 120 | 180 | 180 |
| K, mm | 103 | 103 | 146 | 103 | 146 | 165 |
| L, mm | 57 | 57 | 102 | 57 | 102 | 83 |
| M, mm | 120 | 120 | 114 | 120 | 114 | 135 |
| N, mm | 50 | 50 | 54 | 50 | 54 | 25 |
| Q1, mm | 142 | 142 | 162 | 142 | 162 | 162 |
| Q2, mm | 183 | 183 | 181 | 183 | 181 | 181 |



Model CPA ATEX 1-13 / 2-10 / 5-5



Model CPA ATEX 2-31 / 5-17 / 10-9



Image shows BASIC design

Image shows MEDIUM design incl. rope control

Pneumatic chain hoist with suspension hook or with integrated trolley model CPA ATEX

Capacity 2000 - 10000 kg

With 100 % duty rating and an unlimited number of starts the model CPA is suitable for heavy duty applications. It is insusceptible to contamination, humidity and aggressive mediums from the outside. The hoists are composed of three main components which makes service easy and inexpensive.

Features

- Designed for operating pressures of 4 to 6 bar.
- Robust rotating piston motor has an adjustable spring pressure brake that holds the load secure even in the event of an air failure.
- The standard, oil bath lubricated planetary gearbox is particularly smooth running and enables a low overall height.
- High starting torque due to switching valves in the motor body.
- Low noise emission due to large dimension silencer.
- Sensitive control by means of 2 resp. 4 button pendant control with emergency stop.
- The assembly of component parts result in a low overall height (up to 3000 kg only one chain fall).
- The 5-pocket load chain sheave, manufactured from wear resistant case hardening steel, is matched perfectly to the load chain to guarantee smooth and precise chain motion.
- Drop forged suspension and load hooks are made from non-aging, high tensile steel and fitted with robust safety latches.
- The standard case hardened and zinc-plated link chain is matched perfectly to the load chain to guarantee smooth and precise chain motion.
- All requirements of national and international standards and regulations are fulfilled.
- Copper-coated suspension and load hooks for MEDIUM design or higher.
- Stainless steel load chain for HIGH design.

Options

- Trolley for suspension hook version or integrated trolleys for all three designs (BASIC, MEDIUM, HIGH).
- Rope control
- Limit switch
- Chain container

To ensure faultless operation the compressed air supply must be filtered and oiled!

Technical data model CPA ATEX BASIC II 3 GD c IIB T4 / II 2 GD c IIA T4

| Model | EAN-No. 4025092* | Capacity in kg/ number of chain falls | Lifting speed with rated load* | Lifting speed without load* | Lowering speed with rated load* | Hoist motor | Weight** suspension hook | Weight** push trolley | Weight** geared trolley | Weight** pneumatic trolley |
|----------------|---------------------|--|--------------------------------------|-----------------------------------|--|-------------|--------------------------------|-----------------------------|-------------------------------|----------------------------------|
| | | | m/min | m/min | m/min | | kW | kg | kg | kg |
| CPA ATEX 20-8 | *377942 | 2000/1 | 7.4 | 9.9 | 11.0 | 2.6 | 121 | 184 | 188 | 199 |
| CPA ATEX 30-6 | *377959 | 3000/1 | 6.0 | 9.9 | 13.0 | 3.2 | 121 | 184 | 188 | 199 |
| CPA ATEX 40-4 | *377966 | 4000/2 | 3.7 | 5.0 | 5.5 | 2.6 | 140 | 202 | 206 | 218 |
| CPA ATEX 50-3 | *377973 | 5000/2 | 3.4 | 5.0 | 6.0 | 3.0 | 140 | 202 | 206 | 218 |
| CPA ATEX 75-2 | *377980 | 7500/3 | 2.0 | 3.3 | 4.3 | 3.2 | - | - | - | - |
| CPA ATEX 100-3 | *377997 | 10000/4 | 3.4 | 5.0 | 6.0 | 2 x 3.0 | - | - | - | - |

Technical data model CPA ATEX MEDIUM II 2 GD c IIB T4

| Model | EAN-No. 4025092* | Capacity in kg/ number of chain falls | Lifting speed with rated load* | Lifting speed without load* | Lowering speed with rated load* | Hoist motor | Weight** suspension hook | Weight** push trolley | Weight** geared trolley | Weight** pneumatic trolley |
|----------------|---------------------|--|--------------------------------------|-----------------------------------|--|-------------|--------------------------------|-----------------------------|-------------------------------|----------------------------------|
| | | | m/min | m/min | m/min | | kW | kg | kg | kg |
| CPA ATEX 20-8 | *393690 | 2000/1 | 7.4 | 9.9 | 11.0 | 2.6 | 121 | 184 | 188 | 199 |
| CPA ATEX 30-6 | *409438 | 3000/1 | 6.0 | 9.9 | 13.0 | 3.2 | 121 | 184 | 188 | 199 |
| CPA ATEX 40-4 | *409469 | 4000/2 | 3.7 | 5.0 | 5.5 | 2.6 | 140 | 202 | 206 | 218 |
| CPA ATEX 50-3 | *409483 | 5000/2 | 3.4 | 5.0 | 6.0 | 3.0 | 140 | 202 | 206 | 218 |
| CPA ATEX 75-2 | *410175 | 7500/3 | 2.0 | 3.3 | 4.3 | 3.2 | - | - | - | - |
| CPA ATEX 100-3 | *409520 | 10000/4 | 3.4 | 5.0 | 6.0 | 2 x 3.0 | - | - | - | - |

Technical data model CPA ATEX HIGH II 2 GD c IIC T4

| Model | EAN-No. 4025092* | Capacity*** in kg/ number of chain falls | Lifting speed with rated load* | Lifting speed without load* | Lowering speed with rated load* | Hoist motor | Weight** suspension hook | Weight** push trolley | Weight** geared trolley | Weight** pneumatic trolley |
|----------------|---------------------|---|--------------------------------------|-----------------------------------|--|-------------|--------------------------------|-----------------------------|-------------------------------|----------------------------------|
| | | | m/min | m/min | m/min | | kW | kg | kg | kg |
| CPA ATEX 20-8 | *409872 | 2000/1 | 7.4 | 9.9 | 11.0 | 2.6 | 121 | 184 | 188 | 199 |
| CPA ATEX 40-4 | *409995 | 4000/2 | 3.7 | 5.0 | 5.5 | 2.6 | 140 | 202 | 206 | 218 |
| CPA ATEX 75-2 | *410045 | 6000/3 | 2.0 | 3.3 | 4.3 | 3.2 | - | - | - | - |
| CPA ATEX 100-3 | *409926 | 8000/4 | 3.4 | 5.0 | 6.0 | 2 x 3.0 | - | - | - | - |

*Values for 6 bar (flow pressure), air consumption with rated load 4.7 m³/min. For CPA 100-2: 9.4 m³/min.

**Weight for standard 3 m lift. Other lifting heights on request.

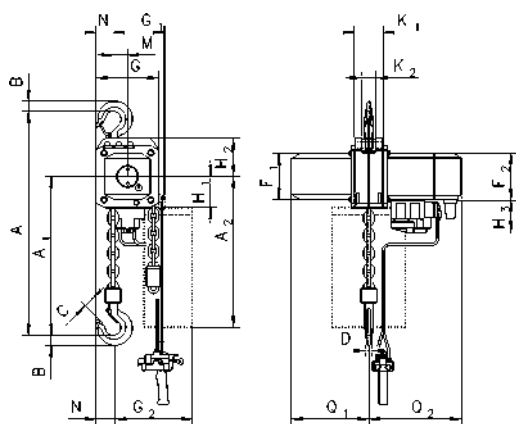
***Models in HIGH design are already labelled with reduced capacities when delivered.

Technical data trolleys

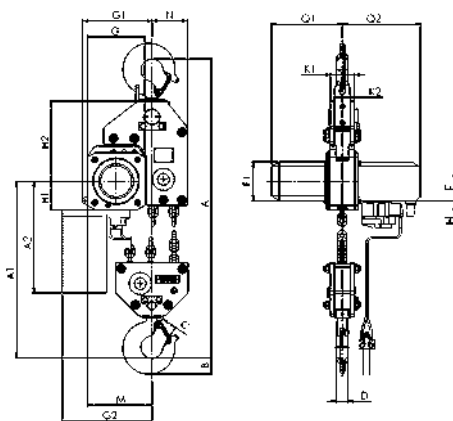
| Capacity | Size | Beam flange width b | Beam flange thickness t max. | Curve radius min. | Pneumatic trolley travel speed | Pneumatic trolley motor |
|--------------|------|---------------------------|---------------------------------------|----------------------|--------------------------------------|-------------------------------|
| kg | | mm | mm | m | m/min | kW |
| 2000 - 6000 | A | 98 - 180 | 27 | 2.0 | 18 | 0.55 |
| 2000 - 6000 | B | 180 - 300 | 27 | 1.8 | 18 | 0.55 |
| 7500 - 10000 | B | 125 - 310 | 40 | 1.8 | - | - |

Dimensions model CPA ATEX

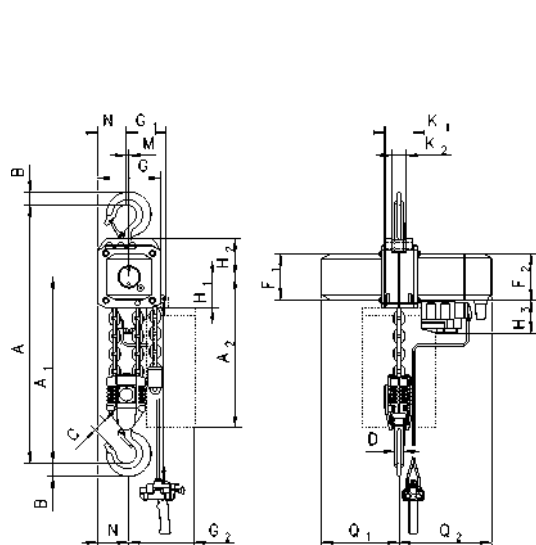
| Model | CPA ATEX 20-8 | CPA ATEX 30-6 | CPA ATEX 40-4 | CPA ATEX 50-3 | CPA ATEX 75-2 | CPA ATEX 100-3 |
|---------------|---------------|---------------|---------------|---------------|---------------|----------------|
| A, mm | 516 | 516 | 681 | 681 | 950 | 1068 |
| A1, mm | 286 | 286 | 428 | 428 | 479 | 651 |
| B, mm | 35 | 35 | 45 | 45 | 60 | 60 |
| C, mm | 37 | 37 | 46 | 46 | 52 | 52 |
| D, mm | 24 | 24 | 30 | 30 | 40/45 | 40/45 |
| F1, mm | 160 | 160 | 160 | 160 | 160 | 160 |
| F2, mm | 165 | 165 | 165 | 165 | 165 | 165 |
| G, mm | 220 | 220 | 220 | 220 | 220 | 581 |
| G1, mm | 180 | 180 | 140 | 140 | 268 | 311 |
| G2 (13 m), mm | 258 | 258 | 218 | 218 | - | - |
| G2 (21 m), mm | 278 | 278 | 238 | 238 | 345 | 408 |
| H1, mm | 110 | 110 | 110 | 110 | 110 | 110 |
| H2, mm | 135 | 135 | 135 | 135 | 307 | 256 |
| H3, mm | 115 | 115 | 115 | 115 | 115 | 115 |
| K1, mm | 100 | 100 | 100 | 100 | 92 | 92 |
| K2, mm | 51 | 51 | 51 | 51 | 62 | 62 |
| M, mm | 50 | 50 | 9.6 | 9.6 | 139 | 181 |
| N, mm | 60 | 60 | 100 | 100 | 136 | 291 |
| Q1, mm | 272 | 272 | 272 | 272 | 272 | 272 |
| Q2, mm | 325 | 325 | 325 | 325 | 325 | 325 |



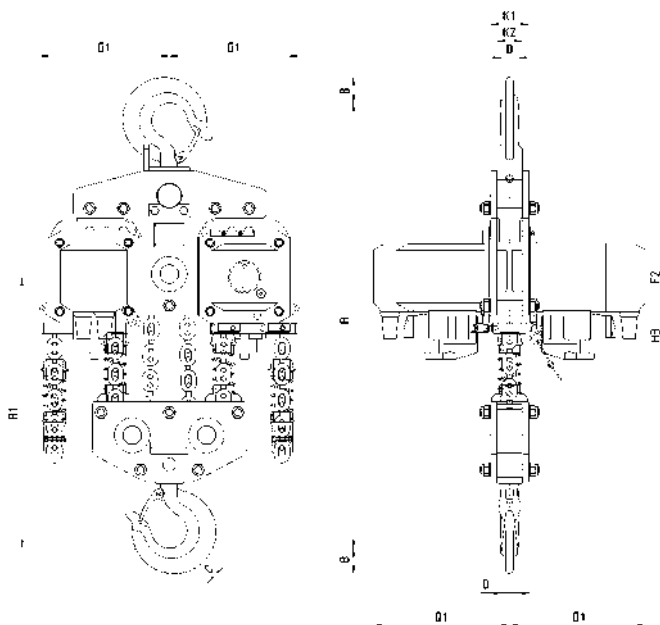
Model CPA ATEX with suspension hook, 2000 - 3000 kg, single fall



Model CPA ATEX with suspension hook, 7500 kg, three fall



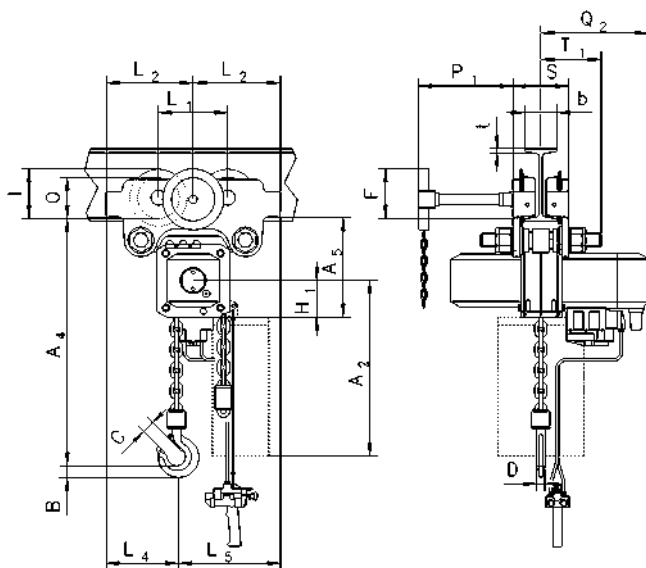
Model CPA ATEX with suspension hook, 4000 - 5000 kg, double fall



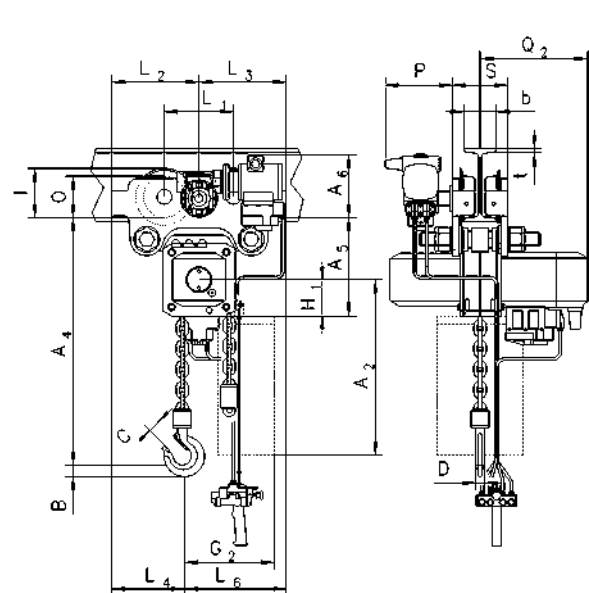
Model CPA ATEX with suspension hook, 10000 kg, four fall

Dimensions model CPA ATEX

| Model | CPA ATEX 20-8 | CPA ATEX 30-6 | CPA ATEX 40-4 | CPA ATEX 50-3 | CPA ATEX 75-2 | CPA ATEX 100-3 |
|---------------|--------------------------------|--------------------------------|--------------------------------|--------------------------------|---------------|----------------|
| A2 (13 m), mm | 430 | 430 | 430 | 430 | - | - |
| A2 (21 m), mm | 530 | 530 | 530 | 530 | 530 | 530 |
| A4, mm | 465 | 465 | 615 | 615 | 855 | 965 |
| A5, mm | 298 | 298 | 298 | 298 | 477 | 425 |
| A6, mm | 190 | 190 | 190 | 190 | 182 | 182 |
| b, mm | A = 98 - 180/ B = 180 - 300 | A = 98 - 180/ B = 180 - 300 | A = 98 - 180/ B = 180 - 300 | A = 98 - 180/ B = 180 - 300 | 125 - 310 | 125 - 310 |
| F, mm | 150 | 150 | 150 | 150 | 113 | 113 |
| l, mm | 142.5 | 142.5 | 142.5 | 142.5 | 130 | 130 |
| L1, mm | 209 | 209 | 209 | 209 | 200 | 200 |
| L2, mm | 262.5 | 262.5 | 262.5 | 262.5 | 215 | 215 |
| L3, mm | 265 | 265 | 265 | 265 | 265 | 265 |
| L4, mm | 213 | 213 | 253 | 253 | 291 | 291 |
| L5, mm | 312 | 312 | 272 | 272 | - | - |
| L6, mm | 315 | 315 | 275 | 275 | - | - |
| O, mm | 125 | 125 | 125 | 125 | 150 | 150 |
| P, mm | 208 | 208 | 208 | 208 | 208 | 208 |
| P1, mm | 284 | 284 | 284 | 284 | 284 | 284 |
| S, mm | b + 70 | b + 70 | b + 70 | b + 70 | b + 98 | b + 98 |
| t, mm | 27 | 27 | 27 | 27 | 40 | 40 |
| T1 size A | 182 | 182 | 182 | 182 | - | - |
| T1 size B | 242 | 242 | 242 | 242 | 270 | 270 |



Model CPA ATEX with integrated manual push or geared trolley



Model CPA ATEX with integrated pneumatic trolley



*Patented!
Rotating
hand chain
guide!*

Image shows
MEDIUM design

**Easy modification from Yalelift 360 ATEX
to Yalelift IT ATEX is possible.**

Hand chain hoist model Yalelift 360 ATEX

Capacity 500 - 20000 kg

The hand chain hoist model Yalelift 360 ATEX once again proves its worth in an environment that far exceeds the requirements of a classical hand chain hoist. On the basis of the European Directive 94/9/EG this model series has been further developed for the use in potentially explosive atmospheres (ATEX zones).

Features

- The enclosed robust stamped steel housing protects all internal components even in the toughest conditions.
- The extremely low headroom allows maximum use of the lifting height.
- The revolutionary 360° rotating hand chain guide allows the operator to work from virtually any position, in confined spaces or above the load. The Yalelift can even be operated from the side of the load which also makes it possible to use the hoist for horizontal pulling or tensioning. Due to the additional flexibility, the operator is no longer forced to work in the danger zone near the load.
- The brake system is extremely quiet and guarantees operational safety and improved serviceability due to omission of the vulnerable ratchet pawls. All parts are made of high quality materials, additionally zinc-plated or yellow-chromated to increase corrosion prevention.
- Chain guide and gearbox are almost totally enclosed. Even under the toughest conditions the internal gearbox remains protected.
- The hardened load sheave with four precision machined pockets ensures accurate movement of the load chain.
- The surface protected zinc-plated alloy steel load chains fulfil all requirements of current national and international standards and regulations. They are matched perfectly to the load chain sheave and guarantee smooth and precise chain motion.
- Drop forged load and suspension hooks that yield under overload instead of breaking, are made of high tensile steel. The hooks are fitted with robust safety latches and rotate 360°.
- Explosion protected version with spark resistant coating.
- Copper-coated suspension and load hooks for MEDIUM design or higher.
- Stainless steel load chain for HIGH design.

Options

- Adjustable overload prevention device
- Chain container

Technical data model Yalelift 360 ATEX BASIC II 3 GD c IIB T4 / II 2 GD c IIA T4

| Model | EAN-No. 4025092* | Capacity in kg/ number of chain falls | Chain dimensions d x p mm | Load chain grade | Hand chain overhaul for 1 m lift m | Pull on hand chain at WLL daN | Weight at standard lift (3 m) kg |
|---------------|---------------------|--|------------------------------------|---------------------|---|--|---|
| YL ATEX 500 | *194969 | 500/1 | 5x15 | T | 30 | 21 | 9 |
| YL ATEX 1000 | *198196 | 1000/1 | 6x18 | T | 49 | 30 | 13 |
| YL ATEX 2000 | *199872 | 2000/1 | 8x24 | T | 71 | 32 | 20 |
| YL ATEX 3000 | *210522 | 3000/1 | 10x30 | T | 87 | 38 | 29 |
| YL ATEX 5000 | *218672 | 5000/2 | 10x30 | T | 174 | 34 | 38 |
| YL ATEX 10000 | *224611 | 10000/3 | 10x30 | V | 261 | 44 | 71 |
| YL ATEX 20000 | *225625 | 20000/6 | 10x30 | V | 522 | 2x44 | 196 |

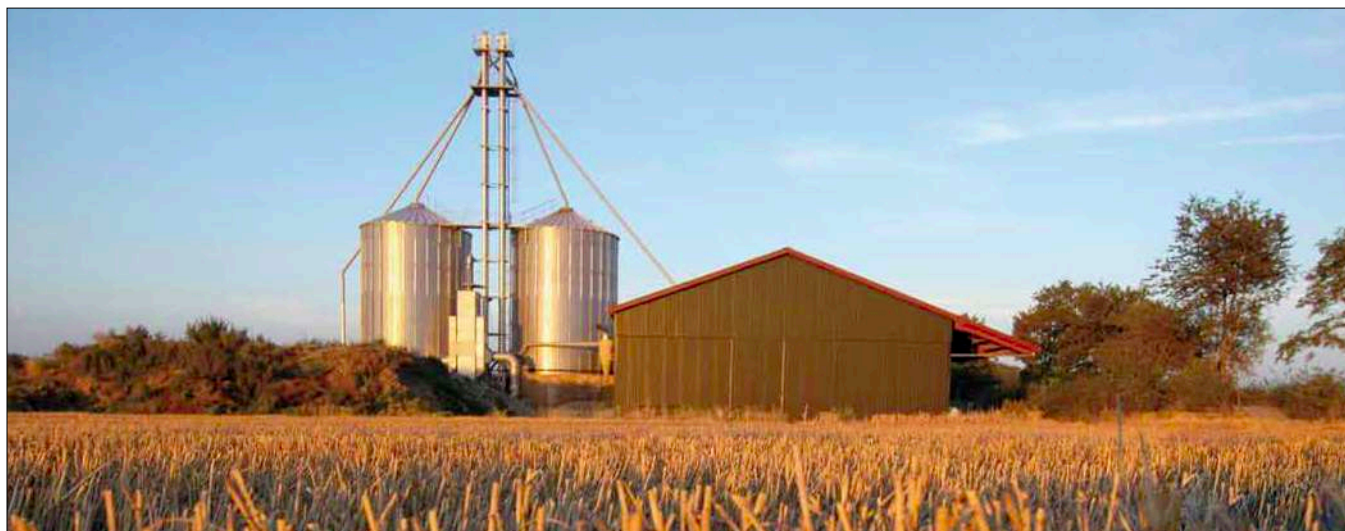
Technical data model Yalelift 360 ATEX MEDIUM II 2 GD c IIB T4

| Model | EAN-No. 4025092* | Capacity in kg/ number of chain falls | Chain dimensions d x p mm | Load chain grade | Hand chain overhaul for 1 m lift m | Pull on hand chain at WLL daN | Weight at standard lift (3 m) kg |
|---------------|---------------------|--|------------------------------------|---------------------|---|--|---|
| YL ATEX 500 | *206365 | 500/1 | 5x15 | T | 30 | 21 | 9 |
| YL ATEX 1000 | *206419 | 1000/1 | 6x18 | T | 49 | 30 | 13 |
| YL ATEX 2000 | *206426 | 2000/1 | 8x24 | T | 71 | 32 | 20 |
| YL ATEX 3000 | *206440 | 3000/1 | 10x30 | T | 87 | 38 | 29 |
| YL ATEX 5000 | *206464 | 5000/2 | 10x30 | T | 174 | 34 | 38 |
| YL ATEX 10000 | *239547 | 10000/3 | 10x30 | V | 261 | 44 | 71 |
| YL ATEX 20000 | *251846 | 20000/6 | 10x30 | V | 522 | 2x44 | 196 |

Technical data model Yalelift 360 ATEX HIGH II 2 GD c IIC T4

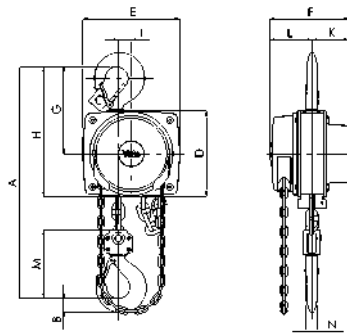
| Model | EAN-No. 4025092* | Capacity*** in kg/ number of chain falls | Chain dimensions d x p mm | Load chain grade | Hand chain overhaul for 1 m lift m | Pull on hand chain at WLL daN | Weight at standard lift (3 m) kg |
|---------------|---------------------|---|------------------------------------|---------------------|---|--|---|
| YL ATEX 500 | *929806 | 500/1 | 5x15 | S | 30 | 21 | 9 |
| YL ATEX 1000 | *929790 | 900/1 | 6x18 | S | 49 | 30 | 13 |
| YL ATEX 2000 | *929783 | 1250/1 | 8x24 | P | 71 | 32 | 20 |
| YL ATEX 3000 | *929776 | 2000/1 | 10x30 | P | 87 | 38 | 29 |
| YL ATEX 5000 | *929769 | 4000/2 | 10x30 | P | 174 | 34 | 38 |
| YL ATEX 10000 | *929752 | 6000/3 | 10x30 | P | 261 | 44 | 71 |
| YL ATEX 20000 | *929745 | 12000/6 | 10x30 | P | 522 | 2x44 | 196 |

***Models in HIGH design are already labelled with reduced capacities when delivered.

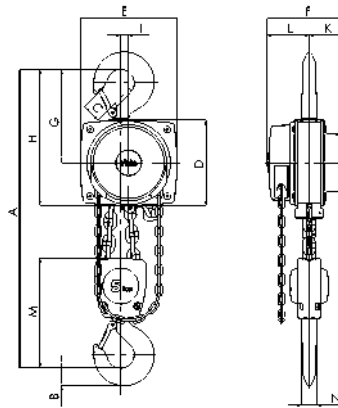


Dimensions model Yalelift 360 ATEX

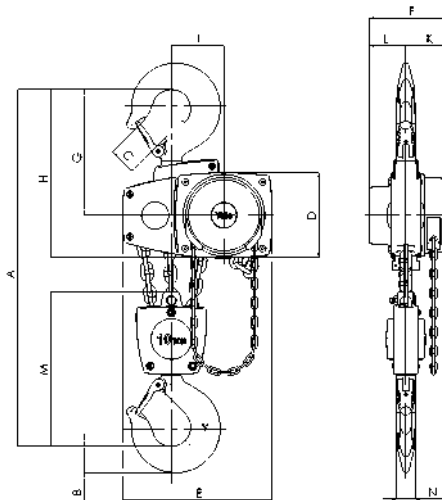
| Model | YL 500 | YL 1000 | YL 2000 | YL 3000 | YL 5000 | YL 10000 | YL 20000 |
|------------|--------|---------|---------|---------|---------|----------|----------|
| A min., mm | 300 | 335 | 395 | 520 | 654 | 825 | 1010 |
| B, mm | 17 | 22 | 30 | 38 | 45 | 68 | 85 |
| C, mm | 24 | 29 | 35 | 40 | 47 | 68 | 64 |
| D, mm | 133 | 156 | 182 | 220 | 220 | 220 | 303 |
| E, mm | 148 | 175 | 203 | 250 | 250 | 383 | 555 |
| F, mm | 148 | 167 | 194 | 219 | 219 | 219 | 250 |
| G, mm | 139 | 164 | 192 | 225 | 242 | 326 | 391 |
| H, mm | 206 | 242 | 283 | 335 | 352 | 436 | 501 |
| I, mm | 24 | 24 | 31 | 34 | 21 | 136 | - |
| K, mm | 61 | 70 | 83 | 95 | 95 | 95 | 396 |
| L, mm | 87 | 97 | 111 | 124 | 124 | 124 | 125 |
| M, mm | 110 | 125 | 156 | 178 | 285 | 401 | 471 |
| N, mm | 14 | 19 | 22 | 30 | 37 | 50 | 56 |



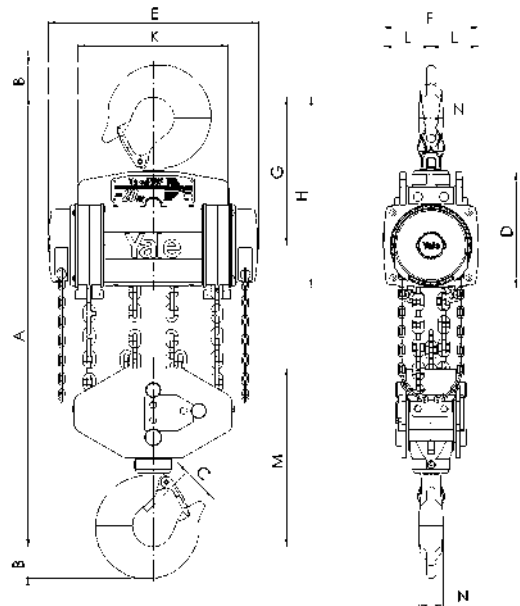
Model Yalelift 360 ATEX, 500 - 3000 kg, single fall



Model Yalelift 360 ATEX, 5000 kg, double fall



Model Yalelift 360 ATEX, 10000 kg, three fall



Model Yalelift 360 ATEX, 20000 kg, six fall





Image shows
HIGH design

Hand chain hoist with integrated push or geared type trolley model Yalelift IT ATEX

Capacity 500 - 20000 kg

The combination of the Yalelift 360 with a low headroom manual trolley provides even more flexibility in the application of the Yalelift 360.

Features

- All units of this series up to a capacity of 3000 kg are provided with single chain fall and the min. headroom (Dim. A) has been further reduced. Ideal for applications with low ceilings and limited headroom.
- The proven and almost stepless adjustment system allows quick and easy assembly of the trolley.
- Trolleys up to 5 t are offered for two beam ranges. Range A for a flange width up to 180 mm is standard and covers approx. 80 % of all requirements. Conversion to range B for beam width up to 300 mm can be easily accomplished.
- The trolley wheels (only for MEDIUM and HIGH design) are designed for a max. beam profile incline of 14 % (DIN 1025-1), excellent rolling features are guaranteed by prelubricated, encapsulated ball bearings.
- Anti-drop and anti-tilt devices as standard.
- Explosion protected version with spark resistant coating.
- Trolleys equipped with rubber buffers.
- Copper-coated load hooks for MEDIUM design or higher.
- Stainless steel load chain for HIGH design.

Options

- Adjustable overload prevention device
- Chain container
- Beam locking device to secure the unloaded trolley in a fixed position on the beam (park position e.g. on ships).

Technical data model Yalelift ITP ATEX BASIC with integrated push type trolley II 3 GD c IIB T4 / II 2 GD c IIA T4

| Model | EAN-No. 4025092* | Capacity in kg/ number of chain falls | Size* | Beam flange width b mm | Beam flange thickness t max. mm | Curve radius min. m | Weight** kg | Weight** with locking device kg |
|-----------------|---------------------|--|-------|---------------------------------|--|---------------------------|----------------|--|
| YLITP ATEX 500 | *237253 | 500/1 | A | 50 - 180 | 19 | 0.9 | 20 | 26 |
| YLITP ATEX 1000 | *237864 | 1000/1 | A | 50 - 180 | 19 | 0.9 | 27 | 35 |
| YLITP ATEX 2000 | *243131 | 2000/1 | A | 58 - 180 | 19 | 1.15 | 44 | 52 |

Technical data model Yalelift ITP ATEX MEDIUM with integrated push type trolley II 2 GD c IIB T4

| Model | EAN-No. 4025092* | Capacity in kg/ number of chain falls | Size* | Beam flange width b mm | Beam flange thickness t max. mm | Curve radius min. m | Weight** kg | Weight** with locking device kg |
|-----------------|---------------------|--|-------|---------------------------------|--|---------------------------|----------------|--|
| YLITP ATEX 500 | *205177 | 500/1 | A | 50 - 180 | 19 | 0.9 | 20 | 26 |
| YLITP ATEX 1000 | *205382 | 1000/1 | A | 50 - 180 | 19 | 0.9 | 27 | 35 |
| YLITP ATEX 2000 | *206310 | 2000/1 | A | 58 - 180 | 19 | 1.15 | 44 | 52 |

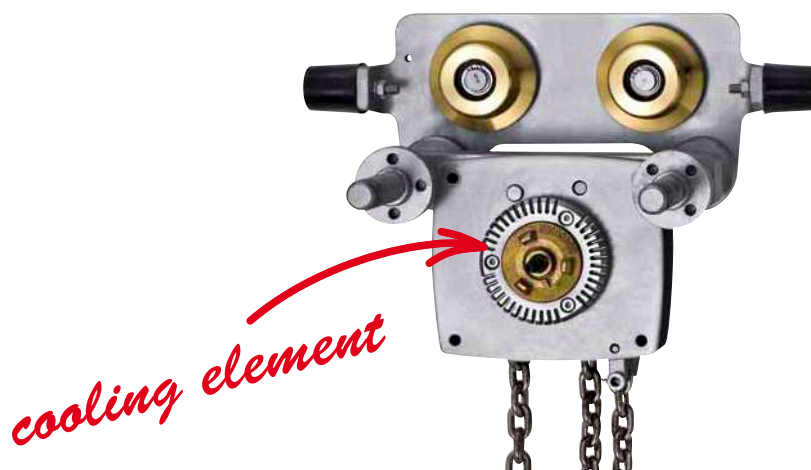
Technical data model Yalelift ITP ATEX HIGH with integrated push type trolley II 2 GD c IIC T4

| Model | EAN-No. 4025092* | Capacity*** in kg/ number of chain falls | Size* | Beam flange width b mm | Beam flange thickness t max. mm | Curve radius min. m | Weight** kg | Weight** with locking device kg |
|-----------------|---------------------|---|-------|---------------------------------|--|---------------------------|----------------|--|
| YLITP ATEX 500 | *257688 | 500/1 | A | 50 - 180 | 19 | 0.9 | 20 | 26 |
| YLITP ATEX 1000 | *257787 | 900/1 | A | 50 - 180 | 19 | 0.9 | 27 | 35 |
| YLITP ATEX 2000 | *258760 | 1250/1 | A | 58 - 180 | 19 | 1.15 | 44 | 52 |

*Size B on request

**Weight for standard 3 m lift. Other lifting heights available.

***Models in HIGH design are already labelled with reduced capacities when delivered.



! Yale hoists and trolleys are not designed for passenger elevation applications and must not be used for this purpose.

Technical data model Yalelift ITG ATEX BASIC with integrated geared type trolley II 3 GD c IIB T4 / II 2 GD c IIA T4

| Model | EAN-No. 4025092* | Capacity in kg/ number of chain falls | Size* | Beam flange width b mm | Beam flange thickness t max. mm | Curve radius min. m | Weight** kg | Weight** with locking device kg |
|------------------|---------------------|--|-------|---------------------------------|--|---------------------------|----------------|--|
| YLITG ATEX 500 | *253055 | 500/1 | A | 50 - 180 | 19 | 0.9 | 24 | 31 |
| YLITG ATEX 1000 | *929844 | 1000/1 | A | 50 - 180 | 19 | 0.9 | 32 | 40 |
| YLITG ATEX 2000 | *929837 | 2000/1 | A | 58 - 180 | 19 | 1.15 | 49 | 57 |
| YLITG ATEX 3000 | *929820 | 3000/1 | A | 74 - 180 | 27 | 1.5 | 82 | 91 |
| YLITG ATEX 5000 | *929813 | 5000/2 | A | 98 - 180 | 27 | 2.0 | 130 | 140 |
| YLITG ATEX 10000 | *941112 | 10000/3 | B | 125 - 310 | 40 | 1.8 | on request | on request |
| YLITG ATEX 20000 | *941556 | 20000/6 | B | 180 - 310 | 40 | 5.0 | on request | on request |

Technical data model Yalelift ITG ATEX MEDIUM with integrated geared type trolley II 2 GD c IIB T4

| Model | EAN-No. 4025092* | Capacity in kg/ number of chain falls | Size* | Beam flange width b mm | Beam flange thickness t max. mm | Curve radius min. m | Weight** kg | Weight** with locking device kg |
|------------------|---------------------|--|-------|---------------------------------|--|---------------------------|----------------|--|
| YLITG ATEX 500 | *206334 | 500/1 | A | 50 - 180 | 19 | 0.9 | 24 | 31 |
| YLITG ATEX 1000 | *206341 | 1000/1 | A | 50 - 180 | 19 | 0.9 | 32 | 40 |
| YLITG ATEX 2000 | *206358 | 2000/1 | A | 58 - 180 | 19 | 1.15 | 49 | 57 |
| YLITG ATEX 3000 | *206549 | 3000/1 | A | 74 - 180 | 27 | 1.5 | 82 | 91 |
| YLITG ATEX 5000 | *206563 | 5000/2 | A | 98 - 180 | 27 | 2.0 | 130 | 140 |
| YLITG ATEX 10000 | *520072 | 10000/3 | B | 125 - 310 | 40 | 1.8 | on request | on request |
| YLITG ATEX 20000 | *419765 | 20000/6 | B | 180 - 310 | 40 | 5.0 | on request | on request |

Technical data model Yalelift ITG ATEX HIGH with integrated geared type trolley II 2 GD c IIC T4

| Model | EAN-No. 4025092* | Capacity*** in kg/ number of chain falls | Size* | Beam flange width b mm | Beam flange thickness t max. mm | Curve radius min. m | Weight** kg | Weight** with locking device kg |
|------------------|---------------------|---|-------|---------------------------------|--|---------------------------|----------------|--|
| YLITG ATEX 500 | *273626 | 500/1 | A | 50 - 180 | 19 | 0.9 | 24 | 31 |
| YLITG ATEX 1000 | *273633 | 900/1 | A | 50 - 180 | 19 | 0.9 | 32 | 40 |
| YLITG ATEX 2000 | *273640 | 1250/1 | A | 58 - 180 | 19 | 1.15 | 49 | 57 |
| YLITG ATEX 3000 | *273657 | 2000/1 | A | 74 - 180 | 27 | 1.5 | 82 | 91 |
| YLITG ATEX 5000 | *273664 | 4000/2 | A | 98 - 180 | 27 | 2.0 | 130 | 140 |
| YLITG ATEX 10000 | *941938 | 6000/3 | B | 125 - 310 | 40 | 1.8 | on request | on request |
| YLITG ATEX 20000 | *941945 | 12000/6 | B | 180 - 310 | 40 | 5.0 | on request | on request |

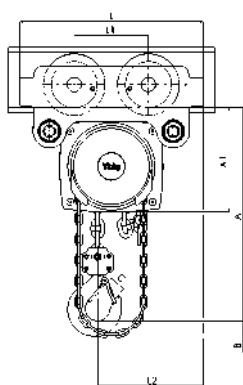
*Size B on request

**Weight for standard 3 m lift. Other lifting heights available.

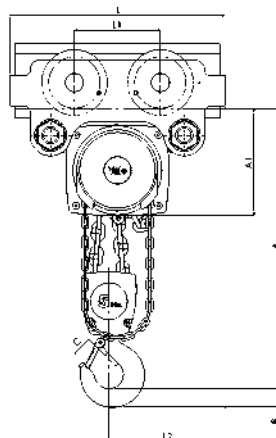
***Models in HIGH design are already labelled with reduced capacities when delivered.

Dimensions model Yalelift IT ATEX

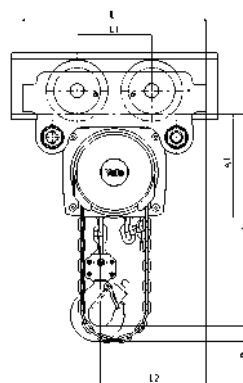
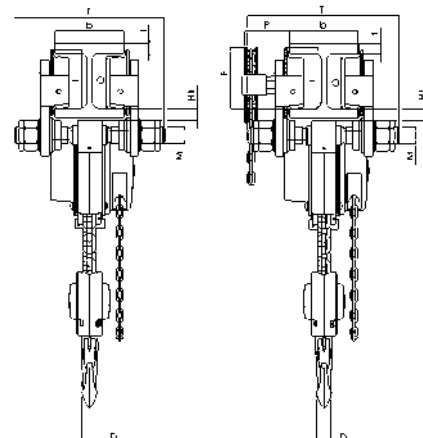
| Model | YLIT ATEX 500 | YLIT ATEX 1000 | YLIT ATEX 2000 | YLIT ATEX 3000 | YLIT ATEX 5000 | YLIT ATEX 10000 |
|------------------------|---------------|----------------|----------------|----------------|----------------|-----------------|
| A min., mm | 245 | 272 | 323 | 382 | 550 | 784 |
| A1, mm | 158 | 178 | 205.5 | 252 | 260.5 | 380 |
| A2, mm | - | - | - | - | - | - |
| B, mm | 17 | 22 | 30 | 38 | 45 | 68 |
| C, mm | 24 | 29 | 35 | 40 | 47 | 68 |
| D, mm | 14 | 19 | 22 | 30 | 37 | 50 |
| F (Geared trolley), mm | 92 | 92 | 91 | 107 | 149.5 | 113 |
| H1, mm | 24.5 | 24 | 23.5 | 32 | 30.5 | 55 |
| I (Pushed trolley), mm | 71.5 | 71.5 | 95.5 | 131 | 142.5 | 169 |
| I (Geared trolley), mm | 76.5 | 76.5 | 98 | 132.5 | 148.5 | 169 |
| L, mm | 270 | 310 | 360 | 445 | 525 | 430 |
| L1, mm | 130 | 130 | 150 | 180 | 209 | 200 |
| L2, mm | 159 | 175 | 207 | 256 | 283 | 261 |
| M, mm | M 18 | M 22 | M 27 | M 30 | M 42 | M 48 |
| O, mm | 60 | 60 | 80 | 112 | 125 | 150 |
| P (Geared trolley), mm | 108 | 110 | 112 | 112 | 117 | 158 |
| T (Area A), mm | 280 | 290 | 305 | 320 | 364 | - |
| T (Area B), mm | 400 | 410 | 425 | 440 | 484 | 540 |



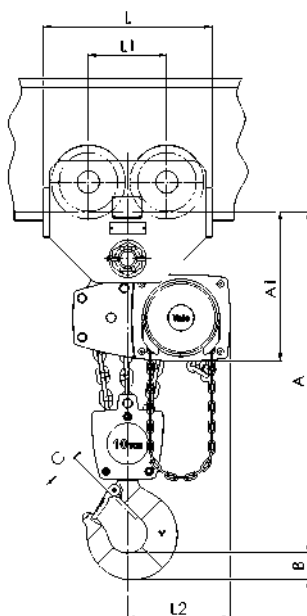
Model Yalelift ITP ATEX, 500 - 3000 kg, single fall



Model Yalelift ITP/ITG ATEX, 5000 kg, double fall



Model Yalelift ITG ATEX, 500 - 3000 kg, single fall



Model Yalelift ITG ATEX, 10000 kg, three fall



with extremely low headroom

Image shows HIGH design

Hand chain hoist with integrated push or geared type trolley (low headroom) model Yalelift LH ATEX

Capacity 500 - 10000 kg

The hand chain hoist model Yalelift LH with integrated low headroom manual trolley is the consequent further development of the Yalelift IT. Wherever an even smaller headroom is essential, the Yalelift LH is the ideal choice.

Features

- The specially developed chain reeving system and chain guide allow the bottom block to be pulled laterally to the hoist even further up and almost against the beam flange.
- The integrated design of the innovative Yalelift LH uses the same manual trolleys as incorporated in the Yalelift IT series.
- All models of the LH series up to 3000 kg capacity are provided with single chain fall.
- The proven and almost stepless adjustment system allows quick and easy assembly of the trolley.
- The trolleys up to 5 t are offered for two beam ranges. Range A for a flange width up to 180 mm is standard and covers approx. 80% of all requirements. Conversion to range B for beam width up to 300 mm can be easily accomplished.
- The trolley wheels (only for MEDIUM and HIGH design) are designed for a max. beam profile incline of 14% (DIN 1025-1), excellent rolling features are guaranteed by prelubricated, encapsulated ball bearings.
- The low headroom version of the Yalelift IT is adjustable to fit a wide range of beam profiles (e.g. INP, IPE, IPB).
- Anti-drop and anti-tilt devices as standard.
- Explosion protected version with spark resistant coating.
- Trolleys equipped with rubber buffers.
- Copper-coated load hooks for MEDIUM design or higher.
- Stainless steel load chain for HIGH design.

Options

- Adjustable overload prevention device
- Chain container
- Beam locking device to secure the unloaded trolley in a fixed position on the beam (park position e.g. on ships).

Technical data model Yalelift LHP ATEX BASIC with integrated push type trolley II 3 GD c IIB T4 / II 2 GD c IIA T4

| Model | EAN-No. 4025092* | Capacity in kg/ number of chain falls | Size* | Beam flange width b mm | Beam flange thickness t max. mm | Curve radius min. m | Weight** kg | Weight** with locking device kg |
|-----------------|---------------------|--|-------|---------------------------------|--|---------------------------|----------------|--|
| YLLHP ATEX 500 | *377522 | 500/1 | A | 60 - 180 | 19 | 0.9 | 27 | 33 |
| YLLHP ATEX 1000 | *377539 | 1000/1 | A | 70 - 180 | 19 | 0.9 | 35 | 43 |
| YLLHP ATEX 2000 | *377546 | 2000/1 | A | 82 - 180 | 19 | 1.15 | 61 | 69 |

Technical data model Yalelift LHP ATEX MEDIUM with integrated push type trolley II 2 GD c IIB T4

| Model | EAN-No. 4025092* | Capacity in kg/ number of chain falls | Size* | Beam flange width b mm | Beam flange thickness t max. mm | Curve radius min. m | Weight** kg | Weight** with locking device kg |
|-----------------|---------------------|--|-------|---------------------------------|--|---------------------------|----------------|--|
| YLLHP ATEX 500 | *592291 | 500/1 | A | 60 - 180 | 19 | 0.9 | 27 | 33 |
| YLLHP ATEX 1000 | *592314 | 1000/1 | A | 70 - 180 | 19 | 0.9 | 35 | 43 |
| YLLHP ATEX 2000 | *592321 | 2000/1 | A | 82 - 180 | 19 | 1.15 | 61 | 69 |

Technical data model Yalelift LHP ATEX HIGH with integrated push type trolley II 2 GD c IIC T4

| Model | EAN-No. 4025092* | Capacity*** in kg/ number of chain falls | Size* | Beam flange width b mm | Beam flange thickness t max. mm | Curve radius min. m | Weight** kg | Weight** with locking device kg |
|-----------------|---------------------|---|-------|---------------------------------|--|---------------------------|----------------|--|
| YLLHP ATEX 500 | *377799 | 500/1 | A | 60 - 180 | 19 | 0.9 | 27 | 33 |
| YLLHP ATEX 1000 | *377829 | 900/1 | A | 70 - 180 | 19 | 0.9 | 35 | 43 |
| YLLHP ATEX 2000 | *377836 | 1250/1 | A | 82 - 180 | 19 | 1.15 | 61 | 69 |

*Size B on request

**Weight for standard 3 m lift. Other lifting heights available.

***Models in HIGH design are already labelled with reduced capacities when delivered.

Technical data model Yalelift LHG ATEX BASIC with integrated geared type trolley II 3 GD c IIB T4 / II 2 GD c IIA T4

| Model | EAN-No. 4025092* | Capacity in kg/ number of chain falls | Size* | Beam flange width b mm | Beam flange thickness t max. mm | Curve radius min. m | Weight** kg | Weight** with locking device kg |
|------------------|---------------------|--|-------|---------------------------------|--|---------------------------|----------------|--|
| YLLHG ATEX 500 | *377744 | 500/1 | A | 60 - 180 | 19 | 0.9 | 31 | 38 |
| YLLHG ATEX 1000 | *377768 | 1000/1 | A | 70 - 180 | 19 | 0.9 | 40 | 48 |
| YLLHG ATEX 2000 | *378697 | 2000/1 | A | 82 - 180 | 19 | 1.15 | 65 | 73 |
| YLLHG ATEX 3000 | *377782 | 3000/1 | A | 100 - 180 | 27 | 1.5 | 112 | 121 |
| YLLHG ATEX 5000 | *378703 | 5000/2 | A | 110 - 180 | 27 | 2.0 | 157 | 167 |
| YLLHG ATEX 10000 | *378727 | 10000/3 | B | 180 - 310 | 40 | 1.8 | 232 | on request |

Technical data model Yalelift LHG ATEX MEDIUM with integrated geared type trolley II 2 GD c IIB T4

| Model | EAN-No. 4025092* | Capacity in kg/ number of chain falls | Size* | Beam flange width b mm | Beam flange thickness t max. mm | Curve radius min. m | Weight** kg | Weight** with locking device kg |
|------------------|---------------------|--|-------|---------------------------------|--|---------------------------|----------------|--|
| YLLHG ATEX 500 | *594592 | 500/1 | A | 60 - 180 | 19 | 0.9 | 31 | 38 |
| YLLHG ATEX 1000 | *594608 | 1000/1 | A | 70 - 180 | 19 | 0.9 | 40 | 48 |
| YLLHG ATEX 2000 | *594615 | 2000/1 | A | 82 - 180 | 19 | 1.15 | 65 | 73 |
| YLLHG ATEX 3000 | *594622 | 3000/1 | A | 100 - 180 | 27 | 1.5 | 112 | 121 |
| YLLHG ATEX 5000 | *594639 | 5000/2 | A | 110 - 180 | 27 | 2.0 | 157 | 167 |
| YLLHG ATEX 10000 | *941549 | 10000/3 | B | 180 - 310 | 40 | 1.8 | 232 | on request |

Technical data model Yalelift LHG ATEX HIGH with integrated geared type trolley II 2 GD c IIC T4

| Model | EAN-No. 4025092* | Capacity*** in kg/ number of chain falls | Size* | Beam flange width b mm | Beam flange thickness t max. mm | Curve radius min. m | Weight** kg | Weight** with locking device kg |
|------------------|---------------------|---|-------|---------------------------------|--|---------------------------|----------------|--|
| YLLHG ATEX 500 | *377843 | 500/1 | A | 60 - 180 | 19 | 0.9 | 31 | 38 |
| YLLHG ATEX 1000 | *377867 | 900/1 | A | 70 - 180 | 19 | 0.9 | 40 | 48 |
| YLLHG ATEX 2000 | *377874 | 1250/1 | A | 82 - 180 | 19 | 1.15 | 65 | 73 |
| YLLHG ATEX 3000 | *377898 | 2000/1 | A | 100 - 180 | 27 | 1.5 | 112 | 121 |
| YLLHG ATEX 5000 | *377911 | 4000/2 | A | 110 - 180 | 27 | 2.0 | 157 | 167 |
| YLLHG ATEX 10000 | *377928 | 6000/3 | B | 180 - 310 | 40 | 1.8 | 232 | on request |

*Size B on request

**Weight for standard 3 m lift. Other lifting heights available.

***Models in HIGH design are already labelled with reduced capacities when delivered.

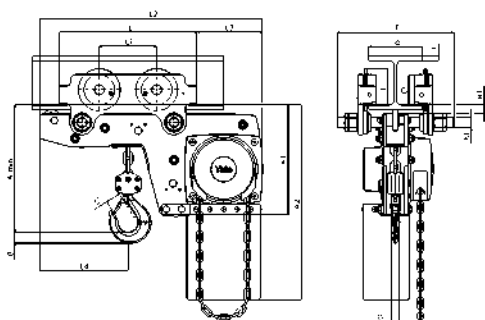
! Yale hoists and trolleys are not designed for passenger elevation applications and must not be used for this purpose.

Copper-coated for MEDIUM design or higher!

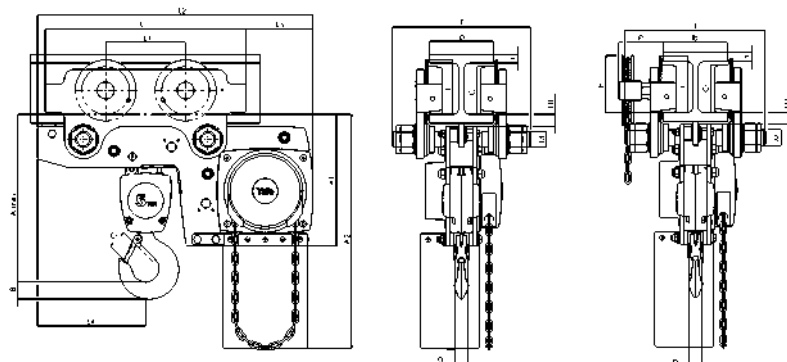


Dimensions model Yalelift LH ATEX

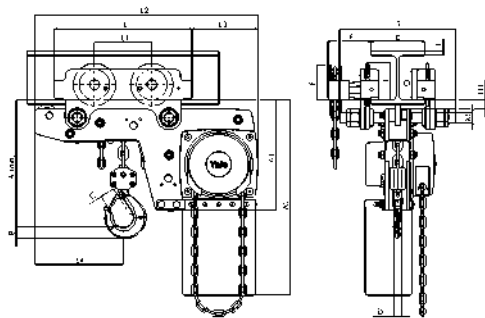
| Model | YLLH ATEX 500 | YLLH ATEX 1000 | YLLH ATEX 2000 | YLLH ATEX 3000 | YLLH ATEX 5000 | YLLH ATEX 10000 |
|------------------------|---------------|----------------|----------------|----------------|----------------|-----------------|
| A min., mm | 188 | 211 | 264 | 316 | 425 | 565 |
| A1, mm | 223 | 250 | 289 | 346 | 345 | 365 |
| A2, mm | 381 | 427 | 511 | 614 | 612 | 665 |
| B, mm | 17 | 22 | 30 | 38 | 45 | 68 |
| C, mm | 24 | 29 | 35 | 40 | 47 | 68 |
| D, mm | 14 | 19 | 22 | 30 | 37 | 50 |
| F (Geared trolley), mm | 92 | 92 | 91 | 107 | 150 | 150 |
| H1, mm | 24 | 24 | 24 | 32 | 31 | 45 |
| I (Pushed trolley), mm | 72 | 72 | 96 | 131 | 143 | 170 |
| I (Geared trolley), mm | 77 | 77 | 98 | 133 | 149 | 170 |
| L, mm | 270 | 310 | 360 | 445 | 525 | 485 |
| L1, mm | 130 | 130 | 150 | 180 | 209 | 225 |
| L2, mm | 444 | 488 | 582 | 690 | 720 | 805 |
| L3, mm | 124 | 135 | 172 | 203 | 175 | 215 |
| L4, mm | 184 | 201 | 230 | 265 | 283 | 348 |
| M, mm | M 18 | M 22 | M 27 | M 30 | M 42 | M 48 |
| O, mm | 60 | 60 | 80 | 112 | 125 | 150 |
| P (Geared trolley), mm | 108 | 110 | 112 | 112 | 117 | 165 |
| T (Area A), mm | 280 | 290 | 305 | 320 | 364 | 440 |
| T (Area B), mm | 400 | 410 | 425 | 440 | 484 | 540 |



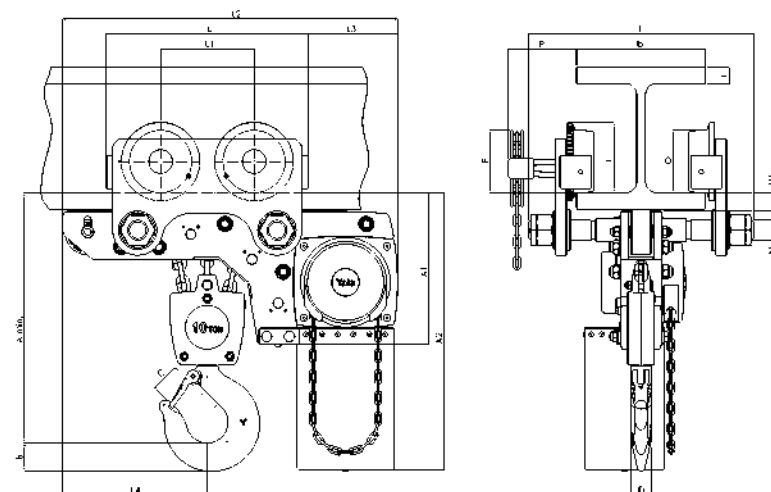
Model Yalelift LHP ATEX, 500 - 3000 kg, single fall



Model Yalelift LHP/LHG ATEX, 5000 kg, double fall



Model Yalelift LHG ATEX, 500 - 3000 kg, single fall



Model Yalelift LHG ATEX, 10000 kg, three fall



Image shows HIGH design

Push and geared type trolley model HTP/G ATEX

Capacity 500 - 20000 kg

The trolley enables the exact positioning or easy traversing of large loads with either manual or powered hoisting equipment.

Features

- The trolley wheels (only for HIGH design) are designed for a max. beam profile incline of 14% (DIN 1025-1), excellent rolling features due to prelubricated and encapsulated ball bearings.
- Adjustable to fit a wide range of beam widths and profiles (e. g. INP, IPE and IPB).
- Adjustments are made by rotating the clevis load bar which also ensures the centred positioning of the hoist in the clevis – no creeping to the left or the right.
- Trolleys are in accordance with the UUV and machinery directives.
- Explosion protected version with spark resistant coating.
- Trolleys equipped with rubber buffers.
- Stainless steel hand chain for model HTG.

Options

- Locking device to secure the trolley in position on the beam (park position e.g. on ships).

Technical data model HTP ATEX BASIC II 3 GD c IIB T4 / II 2 GD c IIA T4

| Model | EAN-No. 4025092* | Capacity kg | Size | Beam flange width b mm | Beam flange thickness t max. mm | Curve radius min. m | Hand effort at WLL daN | Weight kg | Weight with locking device kg |
|---------------|---------------------|----------------|------|---------------------------------|--|---------------------------|------------------------------|--------------|--|
| HTP ATEX 500 | *362504 | 500 | A | 50 - 220 | 25 | 0.9 | – | 8.0 | 14.5 |
| HTP ATEX 1000 | *362535 | 1000 | A | 50 - 220 | 25 | 0.9 | – | 9.0 | 17.0 |
| HTP ATEX 2000 | *362542 | 2000 | A | 66 - 220 | 25 | 1.15 | – | 16.0 | 24.0 |
| HTP ATEX 500 | *362559 | 500 | B | 160 - 300 | 40 | 0.9 | – | 10.6 | 17.1 |
| HTP ATEX 1000 | *362573 | 1000 | B | 160 - 300 | 40 | 0.9 | – | 12.0 | 20.0 |
| HTP ATEX 2000 | *362580 | 2000 | B | 160 - 300 | 40 | 1.15 | – | 19.3 | 27.3 |

Technical data model HTP ATEX HIGH II 2 GD c IIC T4

| Model | EAN-No. 4025092* | Capacity kg | Size | Beam flange width b mm | Beam flange thickness t max. mm | Curve radius min. m | Hand effort at WLL daN | Weight kg | Weight with locking device kg |
|---------------|---------------------|----------------|------|---------------------------------|--|---------------------------|------------------------------|--------------|--|
| HTP ATEX 500 | *573894 | 500 | A | 50 - 220 | 25 | 0.9 | – | 8.0 | 14.5 |
| HTP ATEX 1000 | *573900 | 1000 | A | 50 - 220 | 25 | 0.9 | – | 9.0 | 17.0 |
| HTP ATEX 2000 | *573917 | 2000 | A | 66 - 220 | 25 | 1.15 | – | 16.0 | 24.0 |
| HTP ATEX 500 | *362764 | 500 | B | 160 - 300 | 40 | 0.9 | – | 10.6 | 17.1 |
| HTP ATEX 1000 | *362771 | 1000 | B | 160 - 300 | 40 | 0.9 | – | 12.0 | 20.0 |
| HTP ATEX 2000 | *362788 | 2000 | B | 160 - 300 | 40 | 1.15 | – | 19.3 | 27.3 |

Technical data model HTG ATEX BASIC II 3 GD c IIB T4 / II 2 GD c IIA T4

| Model | EAN-No. 4025092* | Capacity kg | Size | Beam flange width b mm | Beam flange thickness t max. mm | Curve radius min. m | Hand effort at WLL daN | Weight* kg | Weight* with locking device kg |
|----------------|---------------------|--------------------|------|---------------------------------|--|-------------------------------|----------------------------------|-------------------|---|
| HTG ATEX 500 | *362597 | 500 | A | 50 - 220 | 25 | 0.9 | 3 | 9.7 | 16.2 |
| HTG ATEX 1000 | *362603 | 1000 | A | 50 - 220 | 25 | 0.9 | 6 | 11.2 | 19.2 |
| HTG ATEX 2000 | *362610 | 2000 | A | 66 - 220 | 25 | 1.15 | 7 | 18.0 | 26.0 |
| HTG ATEX 3000 | *362627 | 3000 | A | 74 - 220 | 25 | 1.4 | 7 | 35.4 | 44.6 |
| HTG ATEX 5000 | *362634 | 5000 | A | 90 - 220 | 25 | 1.8 | 9 | 51.8 | 62.3 |
| HTG ATEX 500 | *362641 | 500 | B | 160 - 300 | 40 | 0.9 | 3 | 12.6 | 19.1 |
| HTG ATEX 1000 | *362658 | 1000 | B | 160 - 300 | 40 | 0.9 | 6 | 14.1 | 22.1 |
| HTG ATEX 2000 | *362665 | 2000 | B | 160 - 300 | 40 | 1.15 | 7 | 21.3 | 29.3 |
| HTG ATEX 3000 | *362672 | 3000 | B | 160 - 300 | 40 | 1.4 | 7 | 39.2 | 48.4 |
| HTG ATEX 5000 | *362689 | 5000 | B | 180 - 300 | 40 | 1.8 | 9 | 56.0 | 66.5 |
| HTG ATEX 8000 | *362719 | 8000 | B | 125 - 310 | 40 | 1.8 | 14 | 104.0 | - |
| HTG ATEX 10000 | *362726 | 10000 | B | 125 - 310 | 40 | 1.8 | 14 | 104.0 | - |
| HTG ATEX 15000 | *377577 | 15000 | B | 125 - 310 | 40 | 5.0 | 29 | 230.0 | - |
| HTG ATEX 20000 | *377584 | 20000 | B | 125 - 310 | 40 | 5.0 | 29 | 230.0 | - |

Technical data model HTG ATEX HIGH II 2 GD c IIC T4

| Model | EAN-No. 4025092* | Capacity kg | Size | Beam flange width b mm | Beam flange thickness t max. mm | Curve radius min. m | Hand effort at WLL daN | Weight* kg | Weight* with locking device kg |
|----------------|---------------------|--------------------|------|---------------------------------|--|-------------------------------|----------------------------------|-------------------|---|
| HTG ATEX 500 | *573948 | 500 | A | 50 - 220 | 25 | 0.9 | 3 | 9.7 | 16.2 |
| HTG ATEX 1000 | *573955 | 1000 | A | 50 - 220 | 25 | 0.9 | 6 | 11.2 | 19.2 |
| HTG ATEX 2000 | *573962 | 2000 | A | 66 - 220 | 25 | 1.15 | 7 | 18.0 | 26.0 |
| HTG ATEX 3000 | *573979 | 3000 | A | 74 - 220 | 25 | 1.4 | 7 | 35.4 | 44.6 |
| HTG ATEX 5000 | *573986 | 5000 | A | 90 - 220 | 25 | 1.8 | 9 | 51.8 | 62.3 |
| HTG ATEX 500 | *362825 | 500 | B | 160 - 300 | 40 | 0.9 | 3 | 12.6 | 19.1 |
| HTG ATEX 1000 | *362795 | 1000 | B | 160 - 300 | 40 | 0.9 | 6 | 14.1 | 22.1 |
| HTG ATEX 2000 | *362801 | 2000 | B | 160 - 300 | 40 | 1.15 | 7 | 21.3 | 29.3 |
| HTG ATEX 3000 | *377591 | 3000 | B | 160 - 300 | 40 | 1.4 | 7 | 39.2 | 48.4 |
| HTG ATEX 5000 | *362818 | 5000 | B | 180 - 300 | 40 | 1.8 | 9 | 56.0 | 66.5 |
| HTG ATEX 8000 | *573702 | 8000 | B | 125 - 310 | 40 | 1.8 | 14 | 104.0 | - |
| HTG ATEX 10000 | *573719 | 10000 | B | 125 - 310 | 40 | 1.8 | 14 | 104.0 | - |
| HTG ATEX 15000 | *573726 | 15000 | B | 125 - 310 | 40 | 5.0 | 29 | 230.0 | - |
| HTG ATEX 20000 | *573733 | 20000 | B | 125 - 310 | 40 | 5.0 | 29 | 230.0 | - |

*Weight HTG without hand chain

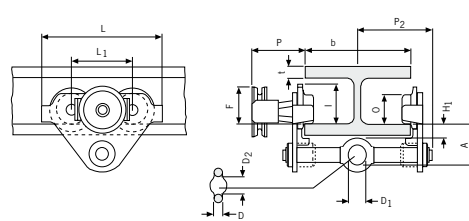
! Yale hoists and trolleys are not designed for passenger elevation applications and must not be used for this purpose.

Dimensions model HTP ATEX

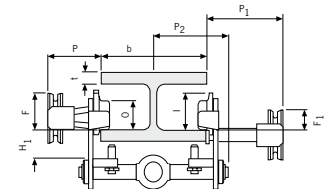
| Model | HTP ATEX 500-A | HTP ATEX 1000-A | HTP ATEX 2000-A | HTP ATEX 3000-A | HTP ATEX 5000-A | HTP ATEX 500-B | HTP ATEX 1000-B | HTP ATEX 2000-B | HTP ATEX 3000-B | HTP ATEX 5000-B |
|------------------|----------------|-----------------|-----------------|-----------------|-----------------|----------------|-----------------|-----------------|-----------------|-----------------|
| A, mm | 77 | 82.5 | 98.5 | 114 | 132.5 | 92 | 97.5 | 113.5 | 129 | 147.5 |
| D, mm | 16 | 17 | 22 | 26 | 33 | 16 | 17 | 22 | 26 | 33 |
| D1, mm | 25 | 30 | 40 | 48 | 60 | 25 | 30 | 40 | 48 | 60 |
| D2, mm | 30 | 35 | 47 | 58 | 70 | 30 | 35 | 47 | 58 | 70 |
| F1, mm | 46 | 46 | 46 | 46 | 45.5 | 46 | 46 | 46 | 46 | 45.5 |
| H1, mm | 30.5 | 30.5 | 30.5 | 30 | 30 | 45.5 | 45.5 | 45.5 | 45 | 45 |
| I (HTP ATEX), mm | 71.5 | 71.5 | 95.5 | 131 | 142.5 | 71.5 | 71.5 | 95.5 | 131 | 142.5 |
| L, mm | 260 | 260 | 310 | 390 | 450 | 260 | 260 | 310 | 390 | 450 |
| L1, mm | 130 | 130 | 150 | 180 | 209 | 130 | 130 | 150 | 180 | 209 |
| O, mm | 60 | 60 | 80 | 112 | 125 | 60 | 60 | 80 | 112 | 125 |
| P1, mm | 168 | 168 | 168 | 168 | 168 | 168 | 168 | 168 | 168 | 168 |
| P2, mm | 146 | 150 | 155 | 160 | 167.5 | 146 | 150 | 155 | 160 | 167.5 |
| L3, mm | 346 | 346 | 396 | 476 | 556 | 346 | 346 | 396 | 476 | 556 |

Dimensions model HTG ATEX

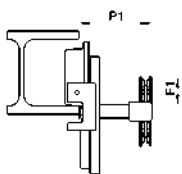
| Model | HTG ATEX 500-A | HTG ATEX 1000-A | HTG ATEX 2000-A | HTG ATEX 3000-A | HTG ATEX 5000-A | HTG ATEX 500-B | HTG ATEX 1000-B | HTG ATEX 2000-B | HTG ATEX 3000-B | HTG ATEX 5000-B | HTG ATEX 8000-B | HTG ATEX 10000-B | HTG ATEX 15000-B | HTG ATEX 20000-B |
|------------------|----------------|-----------------|-----------------|-----------------|-----------------|----------------|-----------------|-----------------|-----------------|-----------------|-----------------|------------------|------------------|------------------|
| A, mm | 77 | 82.5 | 98.5 | 114 | 132.5 | 92 | 97.5 | 113.5 | 129 | 147.5 | 276 | 276 | 270 | 270 |
| B, mm | - | - | - | - | - | - | - | - | - | - | 52 | 52 | 70 | 70 |
| D, mm | 16 | 17 | 22 | 26 | 33 | 16 | 17 | 22 | 26 | 33 | 30 | 30 | 35 | 35 |
| D1, mm | 25 | 30 | 40 | 48 | 60 | 25 | 30 | 40 | 48 | 60 | 80 | 80 | 110 | 110 |
| D2, mm | 30 | 35 | 47 | 58 | 70 | 30 | 35 | 47 | 58 | 70 | 114 | 114 | 155 | 155 |
| F (HTG ATEX), mm | 91.5 | 91.5 | 90.5 | 107.5 | 149.5 | 91.5 | 91.5 | 90.5 | 107.5 | 149.5 | 113 | 113 | 113 | 113 |
| F1, mm | 46 | 46 | 46 | 46 | 45.5 | 46 | 46 | 46 | 46 | 45.5 | 77 | 77 | - | - |
| H1, mm | 30.5 | 30.5 | 30.5 | 30 | 30 | 45.5 | 45.5 | 45.5 | 45 | 45 | 45 | 45 | 45 | 45 |
| I (HTG ATEX), mm | 76.5 | 76.5 | 98 | 132.5 | 148.5 | 76.5 | 76.5 | 98 | 132.5 | 148.5 | 170 | 170 | 170 | 170 |
| L, mm | 260 | 260 | 310 | 390 | 450 | 260 | 260 | 310 | 390 | 450 | 430 | 430 | 870 | 870 |
| L1, mm | 130 | 130 | 150 | 180 | 209 | 130 | 130 | 150 | 180 | 209 | 200 | 200 | 200 | 200 |
| L2, mm | - | - | - | - | - | - | - | - | - | - | - | - | 115 | 115 |
| O, mm | 60 | 60 | 80 | 112 | 125 | 60 | 60 | 80 | 112 | 125 | 150 | 150 | 150 | 150 |
| P (HTG ATEX), mm | 110 | 110 | 110 | 110 | 110 | 110 | 110 | 110 | 110 | 110 | 163 | 163 | 163 | 163 |
| P1, mm | 168 | 168 | 168 | 168 | 168 | 168 | 168 | 168 | 168 | 168 | 193 | 193 | - | - |
| P2, mm | 146 | 150 | 155 | 160 | 167.5 | 187 | 187 | 189.5 | 191.5 | 191.5 | - | - | - | - |
| T, mm | - | - | - | - | - | - | - | - | - | - | 270 | 270 | 270 | 270 |
| L3, mm | 346 | 346 | 396 | 476 | 556 | 346 | 346 | 396 | 476 | 556 | 536 | 536 | 976 | 976 |
| P3, mm | 194 | 194 | 194 | 195 | 195 | 194 | 194 | 194 | 195 | 195 | - | - | - | - |



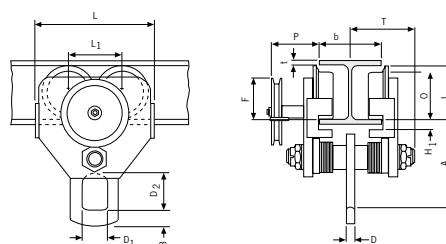
Model HTP/HTG ATEX 500 - 5000 kg



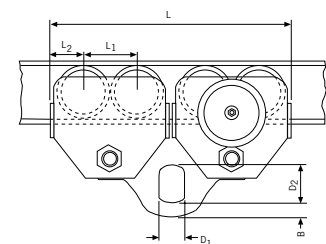
Model HTP/HTG ATEX 500 - 5000 kg, with locking device



Model HTG ATEX 10000 kg, locking device



Model HTG ATEX 10000 kg



Model HTG ATEX 20000 kg

Ratchet lever hoist model UNOplus ATEX

Capacity 750 - 6000 kg

Further technical development turns the ratchet lever hoist into the successor of our proven UNO model.

The versatile tool for lifting, pulling and securing of loads is characterised by its compact design and robust stamped steel construction.

Features

- Due to optimized gearing and improved bearings in the housing cover a minimum effort is required to operate the short hand lever.
- Steel hand wheel as standard.
- Automatic screw-and-disc type load brake with corrosion protected components.
- Standard free chaining device to quickly attach the load or to pull the chain through the hoist in both directions.
- Robust chain guide rollers eliminate fouling and jamming of chain on the load sheave.
- Sturdy bottom block with encapsulated bolt connections
- Alloyed steel link chain in accordance with national and international standards and regulations.
- Drop forged suspension and load hooks are made from non-aging, high tensile steel and fitted with robust safety latches.



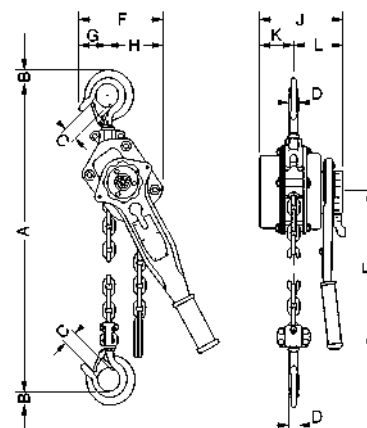
Yale hoists and trolleys are not designed for passenger elevation applications and must not be used for this purpose.

Technical data model UNOplus ATEX I M2 resp. II 3 GD c IIB T4

| Model | EAN-No. 4025092* | Capacity in kg/ number of chain falls | Chain dimensions d x p mm | Load chain grade | Lift with one full lever turn mm | Handle pull at WLL daN | Weight at standard lift (1.5 m) kg |
|-------------------|---------------------|--|------------------------------------|---------------------|---|------------------------------|---|
| UNOplus ATEX 750 | *336536 | 750/1 | 6 x 18 | T | 20 | 20 | 7.2 |
| UNOplus ATEX 1500 | *336543 | 1500/1 | 8 x 24 | T | 22 | 35 | 12.5 |
| UNOplus ATEX 3000 | *336550 | 3000/1 | 10 x 30 | T | 17 | 40 | 21.5 |
| UNOplus ATEX 6000 | *336567 | 6000/2 | 10 x 30 | T | 9 | 40 | 32.0 |

Dimensions model UNOplus ATEX

| Model | UNOplus ATEX 750 | UNOplus ATEX 1500 | UNOplus ATEX 3000 | UNOplus ATEX 6000 |
|------------|------------------|-------------------|-------------------|-------------------|
| A min., mm | 340 | 410 | 510 | 690 |
| B, mm | 22 | 28 | 36 | 45 |
| C, mm | 26 | 32 | 40 | 44 |
| D, mm | 16 | 21 | 27 | 33 |
| E, mm | 250 | 330 | 380 | 380 |
| F, mm | 150 | 170 | 220 | 220 |
| G, mm | 70 | 80 | 100 | 100 |
| H, mm | 80 | 90 | 120 | 120 |
| J, mm | 150 | 180 | 210 | 210 |
| K, mm | 60 | 80 | 90 | 90 |
| L, mm | 90 | 100 | 120 | 120 |





Electric winch model BETA-EX

Capacity 320 - 7500 kg

Electric winches of the series BETA-EX are designed according to the EU Directives 94/9/EG and MRL 2006/42/EG. The models are usable in any place, where the risk of ignition of explosive atmosphere exists (Mixture of air, gases, fumes and dust/air-mixture, respectively). Due to a specially-tailored modular system, the suitable winch for each individual application can be put together easily. The BETA-EX is characterized by the excellent workmanship in connection with the reliable and stable gear motors.

Features

- Electric control incorporated in a flame-proof housing Ex II 2 GD de IIB T4 T 135 °C
- Electric control not ATEX-compliant (Mounting outside of ATEX-area)
- Hand-actuated auxiliary switch in ATEX-design with Up/Down and emergency stop for an enhanced operating safety.
- From a load capacity of 1000 kg equipped as standard with an overload protection.
- Standard operating voltage: Euro-voltage 380 - 420V, 3-phase, 50 Hz
- Insulation class F
- Grooved drum and one rope fixation on each flanged wheel.
- Suitable ambient temperature -20 °C up to +40 °C.

Application area

Chemical or petrochemical industry, biogas plants, paint shops

Options

- Different ambient temperatures
- Different operating voltages
- Electric overload protection for winches with a load capacity below 1000 kg
- Infinitely variable speed regulation
- Rope pressure drum
- Slack rope switch
- Gear limit switch
- Special surface coating
- Multi compartment drum or drum extensions for a higher rope capacity.
- Sheaves, pulley blocks (ATEX-compliant Ex II 2 GD IIB T4 135 °C IP65).
- Special ropes for ATEX-areas with copper-plated load hook.

For determining the required rope length, please take into account that at least 2 to 3 windings must remain on the drum!

Technical data model BETA-EX

| Art.-No. | Size | Capacity | Capacity | Lifting | Lifting | Rope | Motor | Classification | Useable | Useable | Weight |
|-----------|-------|-----------------------|-----------|-----------------------|-----------|-----------|-------|----------------|-----------------------|-------------|---------|
| | | 1 st layer | top layer | speed | speed | diameter* | kW | FEM/ISO | rope length | rope length | |
| | | kg | kg | 1 st layer | top layer | mm | | | 1 st layer | top layer | without |
| | | | | m/min | m/min | | | | m | m | rope |
| | | | | | | | | | | | kg |
| 040039001 | P 1 | 320 | 272 | 5.9 | 7.0 | 5 | 0.37 | 2m/M5 | 16.2 | 77.8 | 82.4 |
| 040039003 | P 1 | 320 | 272 | 13.8 | 16.4 | 5 | 0.75 | 2m/M5 | 16.2 | 77.8 | 89.9 |
| 040039004 | P 1 | 320 | 272 | 19.0 | 22.6 | 5 | 1.1 | 2m/M5 | 16.2 | 77.8 | 106 |
| 040039020 | P 1.5 | 500 | 412 | 6.0 | 7.5 | 6 | 0.55 | 2m/M5 | 13.62 | 67.58 | 95.9 |
| 040039021 | P 1.5 | 500 | 412 | 13.1 | 16.4 | 6 | 1.1 | 2m/M5 | 13.62 | 67.58 | 113 |
| 040039023 | C 1.5 | 630 | 492 | 6.8 | 8.7 | 6 | 0.75 | 1 Am/M4 | 10.8 | 54.76 | 95.9 |
| 040039024 | C 1.5 | 630 | 492 | 14.4 | 18.4 | 6 | 1.5 | 1 Am/M4 | 10.8 | 54.76 | 113 |
| 040039031 | P 2 | 800 | 669 | 4.7 | 5.6 | 8 | 0.75 | 2m/M5 | 17.1 | 85.5 | 125.9 |
| 040039033 | P 2 | 800 | 669 | 11.4 | 13.7 | 8 | 1.5 | 2m/M5 | 17.1 | 85.5 | 151.5 |
| 040039034 | P 2 | 800 | 669 | 20.5 | 24.6 | 8 | 3 | 2m/M5 | 17.1 | 85.5 | 151.5 |
| 040039037 | C 2 | 980 | 711 | 3.4 | 4.7 | 9 | 0.55 | 1 Am/M4 | 11 | 77.4 | 125.9 |
| 040039038 | C 2 | 980 | 711 | 6.7 | 9.2 | 9 | 1.1 | 1 Am/M4 | 11 | 77.4 | 143 |
| 040039039 | C 2 | 980 | 711 | 16.6 | 22.9 | 9 | 3 | 1 Am/M4 | 11 | 77.4 | 151.5 |
| 040039050 | P 3 | 1250 | 1077 | 5.2 | 6.0 | 12 | 1.1 | 2m/M5 | 16.3 | 61.3 | 203.5 |
| 040039051 | P 3 | 1250 | 1077 | 10.4 | 12.1 | 12 | 2.2 | 2m/M5 | 16.3 | 61.3 | 215 |
| 040039052 | P 3 | 1250 | 1077 | 13.8 | 16.0 | 12 | 3 | 2m/M5 | 16.3 | 61.3 | 215 |
| 040039055 | C 3 | 1600 | 1166 | 3.9 | 5.4 | 12 | 1.1 | 1 Am/M4 | 12.1 | 87.7 | 203.5 |
| 040039057 | C 3 | 1600 | 1166 | 10.3 | 14.1 | 12 | 3 | 1 Am/M4 | 12.1 | 87.7 | 215 |
| 040039058 | C 3 | 1600 | 1166 | 19.2 | 26.3 | 12 | 5.5 | 1 Am/M4 | 12.1 | 87.7 | 287.4 |
| 040039059 | E 3 | 2000 | 1299 | 3.1 | 4.8 | 12 | 1.1 | 1 Bm/M3 | 9.7 | 73.7 | 203.5 |
| 040039060 | E 3 | 2000 | 1299 | 8.3 | 12.8 | 12 | 3 | 1 Bm/M3 | 9.7 | 73.7 | 215 |
| 040039061 | E 3 | 2000 | 1299 | 15.5 | 24.5 | 12 | 5.5 | 1 Bm/M3 | 9.7 | 73.7 | 287.4 |
| 040039065 | P 3.5 | 2500 | 2083 | 4.9 | 5.9 | 14 | 2.2 | 2m/M5 | 13.8 | 53.9 | 262 |
| 040039067 | P 3.5 | 2500 | 2083 | 9.3 | 11.2 | 14 | 4 | 2m/M5 | 13.8 | 53.9 | 301.6 |
| 040039068 | P 3.5 | 2500 | 2083 | 12.9 | 15.5 | 14 | 5.5 | 2m/M5 | 13.8 | 53.9 | 338.4 |
| 040039070 | C 3.5 | 3200 | 2169 | 4.0 | 5.9 | 14 | 2.2 | 1 Am/M4 | 11.4 | 85.6 | 262 |
| 040039072 | C 3.5 | 3200 | 2169 | 7.6 | 11.3 | 14 | 4 | 1 Am/M4 | 11.4 | 85.6 | 301.6 |
| 040039073 | C 3.5 | 3200 | 2169 | 10.6 | 15.7 | 14 | 5.5 | 1 Am/M4 | 11.4 | 85.6 | 338.4 |
| 040039081 | C 4 | 4000 | 2664 | 5.7 | 8.6 | 18 | 4 | 1 Am/M4 | 12.7 | 98.3 | 502.6 |
| 040039082 | C 4 | 4000 | 2664 | 10.4 | 15.7 | 18 | 7.5 | 1 Am/M4 | 12.7 | 98.3 | 539.4 |
| 040039083 | C 4 | 4000 | 2664 | 15.5 | 23.3 | 18 | 11 | 1 Am/M4 | 12.7 | 98.3 | 617.5 |
| 040039085 | E 4 | 5000 | 3298 | 4.7 | 7.2 | 16 | 4 | 1 Bm/M3 | 11.9 | 91.5 | 502.6 |
| 040039086 | E 4 | 5000 | 3298 | 8.6 | 13.1 | 16 | 7.5 | 1 Bm/M3 | 11.9 | 91.5 | 539.4 |
| 040039087 | E 4 | 5000 | 3298 | 12.7 | 19.3 | 16 | 11 | 1 Bm/M3 | 11.9 | 91.5 | 617.5 |
| 040039094 | C 5 | 6300 | 4395 | 2.9 | 4.2 | 20 | 3 | 1 Am/M4 | 16.4 | 123.5 | 1047.4 |
| 040039095 | C 5 | 6300 | 4395 | 6.5 | 9.3 | 20 | 7.5 | 1 Am/M4 | 16.4 | 123.5 | 1111.4 |
| 040039096 | C 5 | 6300 | 4395 | 9.6 | 13.7 | 20 | 11 | 1 Am/M4 | 16.4 | 123.5 | 1205.5 |
| 040039097 | E 5 | 7500 | 4891 | 2.3 | 3.6 | 20 | 3 | 1 Bm/M3 | 13.4 | 104.8 | 1047.4 |
| 040039098 | E 5 | 7500 | 4891 | 5.3 | 8.1 | 20 | 5.5 | 1 Bm/M3 | 13.4 | 104.8 | 1111.4 |
| 040039099 | E 5 | 7500 | 4891 | 7.8 | 11.9 | 20 | 11 | 1 Bm/M3 | 13.4 | 104.8 | 1205.5 |

*recommended rope 1960 N/mm² (not included in the delivery package)

Pfaff winches are not designed for passenger elevation applications and must not be used for this purpose.

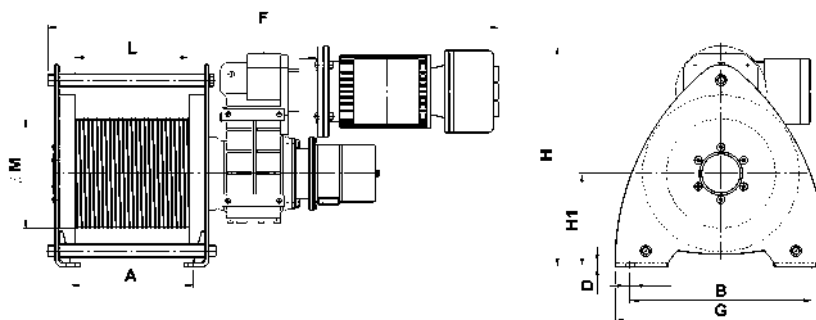
Dimensions model BETA-EX

| Art.-No. | 040039001 | 040039003 | 040039004 | 040039020 | 040039021 | 040039023 | 040039024 | 040039031 | 040039033 | 040039034 |
|----------|-----------|-----------|-----------|-----------|-----------|-----------|-----------|-----------|-----------|-----------|
| A, mm | 215 | 215 | 215 | 215 | 215 | 215 | 215 | 270 | 270 | 270 |
| B, mm | 300 | 300 | 300 | 300 | 300 | 300 | 300 | 400 | 400 | 400 |
| Ø C, mm | 13.5 | 13.5 | 13.5 | 13.5 | 13.5 | 13.5 | 13.5 | 18 | 18 | 18 |
| D, mm | 6 | 6 | 6 | 6 | 6 | 6 | 6 | 8 | 8 | 8 |
| F, mm | 805 | 874 | 944 | 888 | 958 | 888 | 958 | 987 | 1089 | 1089 |
| G, mm | 340 | 340 | 340 | 340 | 340 | 340 | 340 | 465 | 465 | 465 |
| H, mm | 320 | 320 | 320 | 370 | 370 | 370 | 370 | 472 | 472 | 472 |
| H1, mm | 150 | 150 | 150 | 150 | 150 | 150 | 150 | 205 | 205 | 205 |
| L, mm | 200 | 200 | 200 | 200 | 200 | 200 | 200 | 250 | 250 | 250 |
| Ø M, mm | 175 | 175 | 175 | 175 | 175 | 138 | 138 | 242 | 242 | 242 |

| Art.-No. | 040039037 | 040039038 | 040039039 | 040039050 | 040039051 | 040039052 | 040039055 | 040039057 | 040039058 | 040039059 |
|----------|-----------|-----------|-----------|-----------|-----------|-----------|-----------|-----------|-----------|-----------|
| A, mm | 270 | 270 | 270 | 320 | 320 | 320 | 320 | 320 | 320 | 320 |
| B, mm | 400 | 400 | 400 | 510 | 510 | 510 | 510 | 510 | 510 | 510 |
| Ø C, mm | 18 | 18 | 18 | 22 | 22 | 22 | 22 | 22 | 22 | 22 |
| D, mm | 8 | 8 | 8 | 10 | 10 | 10 | 10 | 10 | 10 | 10 |
| F, mm | 987 | 1057 | 1089 | 1160 | 1192 | 1192 | 1160 | 1192 | 1330 | 1160 |
| G, mm | 465 | 465 | 465 | 570 | 570 | 570 | 570 | 570 | 570 | 570 |
| H, mm | 472 | 472 | 472 | 598 | 598 | 598 | 598 | 598 | 598 | 598 |
| H1, mm | 205 | 205 | 205 | 260 | 260 | 260 | 260 | 260 | 260 | 260 |
| L, mm | 250 | 250 | 250 | 300 | 300 | 300 | 300 | 300 | 300 | 300 |
| Ø M, mm | 175 | 175 | 175 | 295 | 295 | 295 | 218 | 218 | 218 | 175 |

| Art.-No. | 040039060 | 040039061 | 040039065 | 040039067 | 040039068 | 040039070 | 040039072 | 040039073 | 040039081 | 040039082 |
|----------|-----------|-----------|-----------|-----------|-----------|-----------|-----------|-----------|-----------|-----------|
| A, mm | 320 | 320 | 320 | 320 | 320 | 320 | 320 | 320 | 380 | 380 |
| B, mm | 510 | 510 | 510 | 510 | 510 | 510 | 510 | 510 | 510 | 660 |
| Ø C, mm | 22 | 22 | 22 | 22 | 22 | 22 | 22 | 22 | 26 | 26 |
| D, mm | 10 | 10 | 10 | 10 | 10 | 10 | 10 | 10 | 12 | 12 |
| F, mm | 1192 | 1330 | 1204 | 1280 | 1341 | 1204 | 1280 | 1341 | 1418 | 1553 |
| G, mm | 570 | 570 | 570 | 570 | 570 | 570 | 570 | 570 | 720 | 720 |
| H, mm | 598 | 598 | 672 | 672 | 672 | 672 | 672 | 672 | 816 | 816 |
| H1, mm | 260 | 260 | 260 | 260 | 260 | 260 | 260 | 260 | 325 | 325 |
| L, mm | 300 | 300 | 300 | 300 | 300 | 300 | 300 | 300 | 350 | 350 |
| Ø M, mm | 175 | 175 | 295 | 295 | 295 | 242 | 242 | 242 | 295 | 295 |

| Art.-No. | 040039083 | 040039085 | 040039086 | 040039087 | 040039094 | 040039095 | 040039096 | 040039097 | 040039098 | 040039099 |
|----------|-----------|-----------|-----------|-----------|-----------|-----------|-----------|-----------|-----------|-----------|
| A, mm | 380 | 380 | 380 | 380 | 430 | 430 | 430 | 430 | 430 | 430 |
| B, mm | 660 | 660 | 660 | 660 | 800 | 800 | 800 | 800 | 800 | 800 |
| Ø C, mm | 26 | 26 | 26 | 26 | 34 | 34 | 34 | 34 | 34 | 34 |
| D, mm | 12 | 12 | 12 | 12 | 15 | 15 | 15 | 15 | 15 | 15 |
| F, mm | 1667 | 1418 | 1553 | 1667 | 1752 | 1638 | 1822 | 1752 | 1638 | 1822 |
| G, mm | 720 | 720 | 720 | 720 | 882 | 882 | 882 | 882 | 882 | 882 |
| H, mm | 816 | 816 | 816 | 816 | 1060 | 1060 | 1060 | 1060 | 1060 | 1060 |
| H1, mm | 325 | 325 | 325 | 325 | 400 | 400 | 400 | 400 | 400 | 400 |
| L, mm | 350 | 350 | 350 | 350 | 400 | 400 | 400 | 400 | 400 | 400 |
| Ø M, mm | 295 | 242 | 242 | 242 | 364 | 364 | 364 | 295 | 295 | 295 |



Sheave block-EX
for rope guidance,
equipped with ball bearings,
incl. earthing screw and copper-coated sheave
model DSRBX S

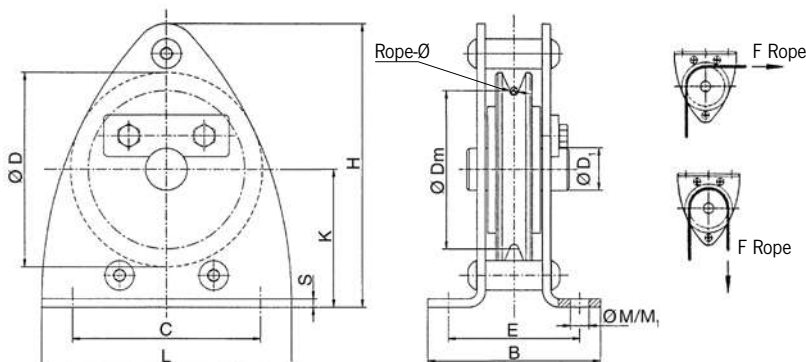
Technical data model DSRBX S

| Model | Art.-No. | Classification | Pulling force in kg at deflection 90° | Pulling force in kg at deflection 180° | Rope diameter |
|----------------|------------|----------------|---|--|---------------|
| | | FEM/ISO | | | mm |
| DSRBX S 90/4 | 0400431113 | 2m/M5 | 700 | 500 | 4 |
| DSRBX S 145/5 | 0400431114 | 4m/M6 | 1100 | 800 | 5 |
| DSRBX S 145/6 | 0400431115 | 2m/M5 | 1100 | 800 | 6 |
| DSRBX S 185/8 | 0400431117 | 2m/M5 | 2300 | 1630 | 8 |
| DSRBX S 185/9 | 0400431118 | 1Am/M4 | 2300 | 1630 | 9 |
| DSRBX S 270/12 | 0400431121 | 2m/M5 | 2500 | 1800 | 12 |
| DSRBX S 325/14 | 0400431123 | 2m/M5 | 4500 | 3200 | 14 |
| DSRBX S 400/16 | 0400431124 | 3m/M6 | 5000 | 3800 | 16 |
| DSRBX S 400/18 | 0400431125 | 2m/M5 | 5000 | 3800 | 18 |
| DSRBX S 490/20 | 0400431126 | 3m/M6 | 8000 | 6000 | 20 |



Dimensions model DSRBX S

| Model | DSRBX S 90/4 | DSRBX S 145/5 | DSRBX S 145/6 | DSRBX S 185/8 | DSRBX S 185/9 | DSRBX S 270/12 | DSRBX S 325/14 | DSRBX S 400/16 | DSRBX S 400/18 | DSRBX S 490/20 |
|------------|-----------------|------------------|------------------|------------------|------------------|-------------------|-------------------|-------------------|-------------------|-------------------|
| Art.-No. | 0400431113 | 0400431114 | 0400431115 | 0400431117 | 0400431118 | 0400431121 | 0400431123 | 0400431124 | 0400431125 | 0400431126 |
| B, mm | 85 | 125 | 125 | 138 | 138 | 191 | 260 | 302 | 302 | 313 |
| C, mm | 90 | 160 | 160 | 195 | 195 | 290 | 350 | 430 | 430 | 580 |
| Ø D, mm | 90 | 145 | 145 | 185 | 185 | 270 | 325 | 400 | 400 | 490 |
| Ø D1, mm | 20 | 25 | 25 | 30 | 30 | 40 | 50 | 50 | 50 | 65 |
| Ø Dm, mm | 80 | 125 | 125 | 160 | 162 | 246 | 297 | 368 | 364 | 450 |
| E, mm | 62 | 88 | 88 | 106 | 106 | 138 | 180 | 212 | 212 | 220 |
| H, mm | 134 | 224 | 224 | 273 | 273 | 407 | 490 | 612 | 612 | 694 |
| K, mm | 65 | 110 | 110 | 135 | 135 | 202 | 242 | 310 | 310 | 340 |
| L, mm | 120 | 200 | 200 | 245 | 245 | 360 | 440 | 530 | 530 | 650 |
| Ø M/M1, mm | 9/9 | 11.5/13 | 11.5/13 | 13.5/15 | 13.5/15 | 18/20 | 22/25 | 26/30 | 26/30 | 34/40 |
| S, mm | 4 | 6 | 6 | 8 | 8 | 10 | 12 | 15 | 15 | 16 |





Manual winch with load pressure brake model OMEGA-EX

Capacity 630 and 1000 kg

The hand winch OMEGA-EX is a complete new construction and was developed especially for the high safety requirements in potentially explosive atmospheres. All components of the OMEGA-EX are designed to avoid effectively an inadmissible heating of the surfaces. Carefully selected materials and the sophisticated construction of the winch prevent the occurrence of mechanically caused sparks, for example by intrusion of foreign materials.

Features

- Winch housing made of aluminum permanent mold casting for a low own weight, rope drum made of steel, chemically nickel-plated for a high versatility.
- Integrated load pressure brake
- Closed gear with oil bath lubrication. The large oil volume ensures a high cooling effect.
- Equipotential bonding to avoid electrostatic charging.
- Pivotal crank handle
- Suitable for ambient temperatures of -20 °C up to +40 °C.

Application area

Chemical or petrochemical industry, biogas plants, paint shops

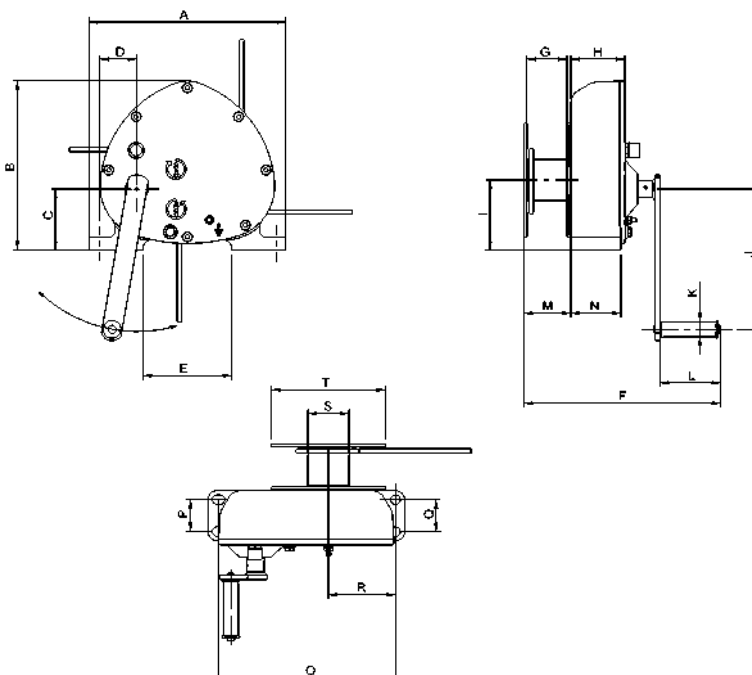
Technical data model OMEGA-EX

| Model | Art.-No. | Capacity 1 st layer kg | Capacity top layer kg | Rope diameter mm | Lift per crank rotation mm | Required crank effort daN | Weight without rope kg |
|-------------|-----------|--------------------------------------|--------------------------|---------------------|-------------------------------|------------------------------|---------------------------|
| OMEGA-EX 6 | 040022319 | 630 | 305 | 7 | 21 | 10 | 22 |
| OMEGA-EX 10 | 040029019 | 1000 | 500 | 8 | 22 | 16 | 22 |

*recommended rope: DIN 3060 FE-znk 1770sZ-spa

Dimensions model OMEGA-EX

| Art.-No. | 040039001 | 040039003 |
|----------|-----------|-----------|
| A, mm | 345 | 345 |
| B, mm | 297 | 297 |
| C, mm | 107 | 107 |
| D, mm | 65 | 65 |
| E, mm | 156 | 156 |
| F, mm | 345 | 345 |
| G, mm | 70 | 70 |
| H, mm | 95 | 95 |
| I, mm | 123 | 123 |
| J, mm | 250 | 250 |
| K, mm | 26 | 26 |
| L, mm | 107 | 107 |
| M, mm | 82 | 82 |
| N, mm | 88 | 88 |
| O, mm | 310.5 | 310.5 |
| P, mm | 56 | 56 |
| Q, mm | 56 | 56 |
| R, mm | 117.6 | 117.6 |
| Ø S, mm | 72 | 72 |
| T, mm | 200 | 200 |



Wall-mounted rack and pinion jacks model ZWW-EX

Capacity 250 kg

The rack and pinion jack is suitable for lifting, lowering, pulling and pushing, for horizontal displacement, supporting, adjusting or fixing of heavy components or whole appliances and equipment in hazardous areas.

Features

- Carefully selected materials and a high-grade coating prevent the occurrence of mechanically caused sparks.
- No inadmissible heating of the surfaces due to the intelligent design of the individual parts.
- Equipotential bonding and limited surface area to avoid electrostatic charging.
- The grease-lubricated, self-locking worm gear is set into operation by rotations on the crank. It provides not only for easy movement of the load, but also for a reliable safety in every position.

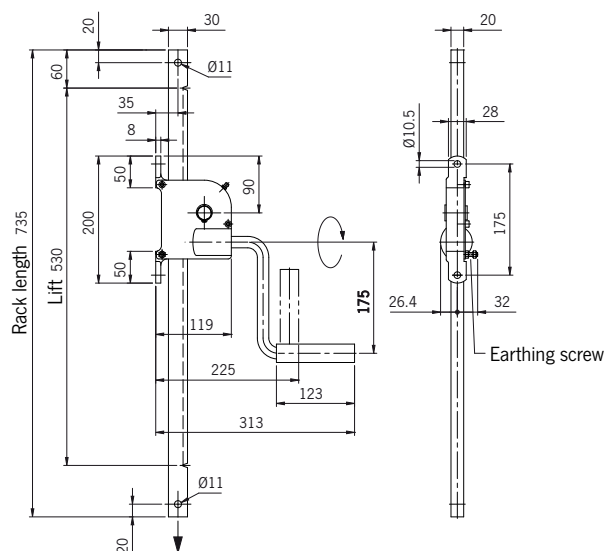
Application area

Plant construction, shipping, wastewater treatment plants, chemical industry and food industry.



Technical data model ZWW-EX

| Model | Art.-No. | Capacity | Rack length | Lift | Weight |
|--------|-----------|----------|-------------|------|--------|
| | | kg | mm | mm | kg |
| ZWW-EX | 040052648 | 250 | 735 | 530 | 5.7 |





Hand pallet truck, stainless steel version model HU 20-115 VATP ATEX PROLINE

Capacity 2000 kg

The hand pallet truck is designed for the use in explosive environments (zone 1 and 2) and is classified acc. to ATEX II 2 GD c IIC T4.

Features

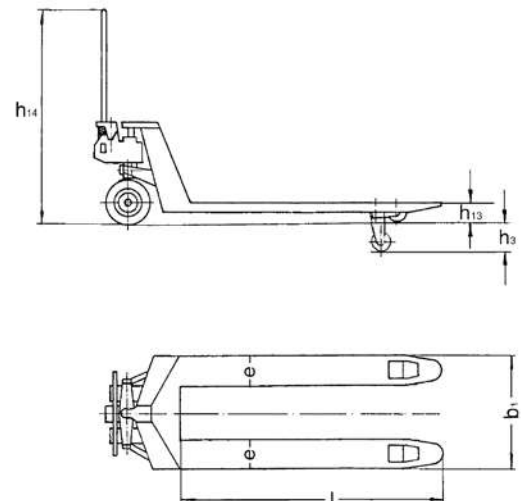
- Ergonomic safety control handle for one-hand operation of lifting, driving and lowering.
- Low maintenance high performance hydraulic pump with hard chromium plated piston and pressure relief valve. Hydraulic unit made of V4A-316 stainless steel.
- Frame, adjustable connecting rods, bolts and the torsion tube are made of high quality V4A-316 stainless steel.
- Steering angle of 105 degree to each side for easy handling in confined spaces.
- Conductive steering rollers (antistatic).

! Before the use in explosive environments the operator has to create an explosion protection document acc. to the machinery directive 1999/92/EG!

Technical data HU 20-115 VATP ATEX PL

| Model | HU 20-115 VATP ATEX PL |
|-----------------------------------|------------------------|
| Art.-No. | 040054147 |
| Capacity, kg | 2000 |
| Weight, kg | 86 |
| Tyre type* | PA/VG |
| Steering rollers, mm | 200x50 |
| Load rollers, mm | 82x70 |
| Stroke h3, mm | 115 |
| Height of control handle h14, mm | 1200 |
| Fork height lowered h13, mm | 85 |
| Fork width e, mm | 160 |
| Fork length l, mm | 1150 |
| Outside dimension of forks b1, mm | 540 |

*PA... Polyamide, VG... Solid rubber



Checklist

Pfaff-silberblau develops, produces and sets up system solutions and complete actuator units according to individual customer requirements for different applications: product technique, transport technique, foundry technique, mining, hydraulic engineering, shipbuilding, research, building service, etc. Of course, also available in accordance with regulation 94/9/EG (ATEX) for the use in areas with an explosion hazard.

Simply ask for our checklist for screw jacks and linear drives!

2.5 Type of protection

for non-electrical equipment for use in potentially explosive areas:

| | |
|------------|--|
| EN 13463-2 | Protection by flow restricting enclosure „r“ |
| EN 13463-3 | Protection by flameproof enclosure „d“ |
| EN 13463-4 | Protection by inherent safety „s“ |
| EN 13463-5 | Protection by constructional safety „c“ |
| EN 13463-6 | Protection by control of ignition source „p“ |
| EN 13463-7 | Protection by pressurization „p“ |
| EN 13463-8 | Protection by liquid immersion „k“ |

- Pfaff-silberblau drive elements are designed in accordance with type of protection „c“ - Protection by constructional safety.
- Drive elements produced for use in Zones 1 and 2 (gas) are designed in accordance with type of protection „k“ - Protection by liquid immersion* (give elements with lubrication).
- Type of protection „p“ - Protection by control of ignition source* can be provided by means of control of motor performance.

3 Which certification or check is required for which zone?

Directive 94/9/EC Chapter II Item 8 and Appendix VII

| Category | 1 | 2 | 21 | 2 | 3 | 22 |
|-----------------------|--|--|----|--|---|---|
| Zone | | | D | | | D |
| Explosive atmosphere* | G | | D | | G | D |
| Motor | EC type examination certificate from a nominated office | EC type examination certificate from a nominated office | | Internal process control by manufacturer (Directive 94/9/EC Appendix VIII) | | Declaration of conformity from the manufacturer |
| Drive | Internal process control by manufacturer (Directive 94/9/EC Appendix VIII) | Declaration of conformity from the manufacturer and filing of the explosion prevention documentation with a nominated office | | | | |

*G = Gas / D = Dust

4 Hazard analysis according to DIN EN 1127


The purpose of the hazard analysis is to establish which risks of ignition apply to Pfaff-silberblau drive elements and the safety precautions to be taken to provide the level of safety required.

| | |
|------------------------|--|
| Risk of ignition from: | Hot surface Mechanically generated sparks caused by friction, impact and degradation Electrostatic charging Chemical reaction Improper assembly/installation |
|------------------------|--|


5 Documentation for securing protection against explosion

- Checklist for provision of all data of relevance to explosion protection.
- Questionnaire for the specification of technical data.
- Written order contract for the design of the drive elements.
- Documented calculations for the specification of the thermal limits and the life of the bearings.
- Production checklist for testing the components: Sealing faces, roughness of the spindle and bearing nuts, bearing face of the gearing.
- Operating manual with 94/9/EC declaration of conformity.
- Rating plate.

5.1 Identifying markings



Ex-marking _____
 Device group _____
 Category _____
 Ex-atmosphere _____
 Type of protection _____
 Temperature class _____
 Max. surface temperature on which 5 mm of dust can settle _____



Questionnaire - Page 1

Pfaff-silberblau Hebezeugfabrik GmbH
 Am Silberpark 2-8, 86438 Kissing
 Phone +49 / 83 33 / 21 21-800, Fax +49 / 83 33 / 21 21-805
 E-Mail: antriebstechnik@pfaff-silberblau.com, Internet: www.pfaff-silberblau.com

5.2 CHECKLIST for explosion protection data

To enable Pfaff-silberblau lifting units/drive elements to be designed in accordance with EC directive 94/9/EC it is imperative that this checklist is completed and all outstanding questions regarding explosion protection be answered conscientiously.


Firm: _____
 Address: _____ Phone: _____
 Department: _____ E-mail: _____
 Fac: _____
 Name: _____

Device group, device category and zone allocation (see Item 2.1)


| | |
|---------------------------|---|
| Device group | Please enter a cross |
| Device group I | Not available |
| Device group II | X |
| Category / Zone | Ex-atmosphere..... |
| Category 1 (w/ Zone 0/20) | ...is the permanent, long-term or frequent situation. |
| Category 2 (w/ Zone 1/21) | ...is an occasional occurrence. |
| Category 3 (w/ Zone 2/22) | ...is a rare occurrence and then only temporarily. |

Explosion groups (see Item 2.4)

| | | |
|---|---|----------------------|
| Temperature class of the equipment [°C] | Ignition temperature of the combustible substances [°C] | Please enter a cross |
| | > 450 | |
| | > 300... < 450 | |



Checklist




... permanent, long-term or frequent presence of a mixture of air and gases, vapors or mist or ...
 ... occasional presence of a potentially explosive gases, vapors or mist or of dust/mist/mud. ...
 ... explosively explosive atmospheres caused by gases, vapors or mist or dust/mist/mud in such an atmosphere should nevertheless occur and will be for a short time only.

Category 2 includes Category 21

2.4 Temperature classes and explosion groups

| Temperature class | Max. surface temperature of the equipment [°C] | Ignition temperature of the combustible substances [°C] | Explosion group | | |
|-------------------|--|---|--|--|--------------|
| | | | II A | II B | II C |
| T1 | 450 | > 450 | Ammonia, acetylene benzoic, ethane, ethyl acetate, carbon monoxide, methane, methanol, methyl benzene, propane | Coal dust (gas), water gas (inerted) | Hydrogen |
| T2 | 300 | > 300... < 450 | n-butane, n-hexane, cyclohexanone, acetic anhydride, natural gas, liquid gas | Butadiene 1,3, ethanol, ethylene, ethylene oxide | Acetylene |
| T3 | 200 | > 200... < 300 | Petrol, diesel, heating oil, aircraft fuel, n-hexane | Crude oil, isoprene, hydrogen sulphide | |
| T4 | 135 | > 135... < 200 | Acetaldehyde ether | Ethyl ether | |
| T5 | 100 | > 100... < 135 | | | |
| T6 | 85 | > 85... < 100 | | | Carbon black |

Pfaff-silberblau drive elements are designed on the basis of an A housing temperature of 80 °C, such that if the room temperature is 40 °C the surface temperature will be 120 °C. This results in a safety factor of 1.12 relative to the max. surface temperature of 135 °C.
 For explosion-proofing in respect of dust, the operator is required to provide information on the maximum ignition temperature of the air/dust mixture.



Worm gear screw jacks/
 Linear Drives
 according to 94/9/EC (ATEX)
 for use in potentially explosive areas

Safety - Made by Pfaff-silberblau

Technical questionnaire

To enable us to design lifting units/drive elements in accordance with EU-directive 94/9/EG it is essential that this checklist is completed and all open questions regarding explosion protection are answered carefully.

Equipment group, categories and zones

| Equipment group I | | Equipment group II | | |
|--|--|--------------------|------------------------|--|
| (only for mining fire damp protection) | | Category - Zone | | Ex-atmosphere ... |
| | | – | Category 1 - Zone 0/20 | ... is present continuously for long periods or frequently (not available) |
| Category M1 | | | Category 2 - Zone 1/21 | ... is present occasionally in normal operation |
| Category M2 | | | Category 3 - Zone 2/22 | ... is unlikely to be present except for a short period of time. |

Ex-atmosphere

| |
|---|
| Medium? If dusts are involved - please specify |
| |

| | |
|---|--|
| Surrounding temperature (only permissible between -20 up to +40 °C) | |
|---|--|

| Zone | | | |
|------|-----------------|---|--------|
| | Gases/Vapours G | | Dust D |
| – | 0 | – | 20 |
| | 1 | | 21 |
| | 2 | | 22 |

| Explosion group | |
|-----------------|-----|
| | IIA |
| | IIB |
| | IIC |



Temperature classes

| | Temperature class | Max. surface temperature of the equipment [°C] | Max. ignition temperature of combustible substances [°C] | Max. surface temperature for dust [°C] |
|---|-------------------|--|--|---|
| | T1 | 450 | > 450 | Ignition temperature Smouldering temperature |
| | T2 | 300 | > 300... < 450 | |
| | T3 | 200 | > 200... < 300 | |
| | T4 | 135 | > 135... < 200 | |
| – | T5 | 100 | > 100... < 135 | |
| – | T6 | 85 | > 85... < 100 | |

T1 up to T4 available, T5 and T6 not available

Place, Date _____

Signature _____

You would like to know more?

Simply ask for our product catalogue.
Of course, we can also contact you personally.

Simply fill in...

Company: _____

Phone: _____

Name: _____

Fax: _____

Street: _____

e-Mail: _____

Zip code: _____

Place: _____

Country: _____

...select...



Yes, we would like to know more about the product portfolio “lift & shift”.
Please send your product catalogue.

Yes, we would like to know more about the product portfolio “screw jacks”.
Please send your product catalogue.

Yes, we would like a non-binding consultation, resp. do have a specific requirement for screw jacks acc. to regulation 94/9/EG (ATEX) for the use in areas with an explosion hazard.

Yes, we would like a non-binding consultation, resp. do have a specific requirement. Please contact us!

...and fax to us!

+49 (0) 20 51/600-127 or +49 (0) 82 33 / 2121-805
or visit us under: www.cmco.eu



Place, Date _____

Signature _____

Germany

COLUMBUS McKINNON Industrial Products GmbH*

Am Lindenkamp 31
42549 Velbert
Phone: +49 (0) 20 51/600-0
E-mail: info.velbert@cmco.eu
www.cmco.eu, www.yale.de

COLUMBUS McKINNON Engineered Products GmbH*

Am Silberpark 2-8
86438 Kissing
Phone: +49 (0) 82 33/21 21-800
E-mail: info.kissing@cmco.eu
www.cmco.eu, www.pfaff-silberblau.com

Austria

COLUMBUS McKINNON Austria GmbH*

Gewerbepark, Wiener Straße 132a
2511 Pfaffstätten
Phone: +43 (0) 22 52/4 60 66-0
E-mail: zentrale@yale.at
www.yale.at

Italy

COLUMBUS McKINNON Italia S.r.l.

Via P. Picasso, 32
20025 Legnano (MI)
Phone: +39 (0) 331/57 63 29
E-mail: claudio.franchi@cmworks.eu
www.cmco.eu

Netherlands

COLUMBUS McKINNON Benelux B.V.*

Grotenoord 30
3341 LT Hendrik Ido Ambacht
Phone: +31 (0) 78/6 82 59 67
E-mail: information@yaletakels.nl
www.yaletakels.nl

France

COLUMBUS McKINNON France SARL*

Zone Industrielle des Forges
18108 Vierzon Cedex
Phone: +33 (0) 248/71 85 70
E-mail: centrale@cmco-france.com
www.cmco-france.com

United Kingdom

COLUMBUS McKINNON Corporation Ltd.*

Knutsford Way, Sealand Industrial Estate
Chester CH1 4NZ
Phone: +44 (0) 1244 375375
E-mail: sales.uk@cmworks.eu
www.yaleproducts.com

Unit 1A, The Ferguson Centre
57-59 Manse Road, Newtownabbey, BT36 6RW
Northern Ireland
Phone: +44 (0) 2890 840697
E-mail: sales@yaleip.co.uk
www.yaleproducts.com

Spain and Portugal

COLUMBUS McKINNON Ibérica S.L.U.

Ctra. de la Esclusa, 21 acc. A
41011 Sevilla
Phone: +34 954 29 89 40
E-mail: información@cmiberica.com
www.yaleiberica.com

Rua Poseidón, 2 (Polg. Icaria)
15179 Perillo-Oleiros (A Coruña)
Phone: +34 981 63 95 91
E-mail: información@cmiberica.com
www.yaleiberica.com

Polg. Ind. Empresarium
Calle Retama, no 25 - Nave B-19
50720 Zaragoza
Phone: +34 876 26 26 75
E-mail: información@cmiberica.com
www.yaleiberica.com

Switzerland

COLUMBUS McKINNON Switzerland AG

Dällikerstraße 25
8107 Buchs ZH
Phone: +41 (0) 44 851 55 77
E-mail: info@cmco.ch
www.cmco.ch

Poland

COLUMBUS McKINNON Polska Sp.z.o.o.

Ul. Owsiana 14
62-064 PLEWISKA
Phone: +48 (0) 61 6 56 66 22
E-mail: kontakt@pfaff-silberblau.pl
www.pfaff.info.pl

Hungary

COLUMBUS McKINNON Hungary Kft.

Vásárhelyi út 5. VI ép
8000 Székesfehérvár
Phone: +36 (22) 546-720
E-mail: info@cmco-hungary.com
www.yale.de

South Africa

CMCO Material Handling (Pty) Ltd.*

P.O. Box 15557
Westmead, 3608
Phone: +27 (0) 31/700 43 88
E-mail: sales@cmcosa.co.za
www.yale.co.za

Yale Engineering Products (Pty) Ltd.

12 Laser Park Square, 34 Zeiss Rd.
Laser Park Industrial Area, Honeydew
Phone: +27 (0) 11/794 29 10
E-mail: info@yalejhb.co.za
www.yalejhb.co.za

Yale Lifting & Mining Products (Pty) Ltd.

P.O. Box 592
Magaliesburg, 1791
Phone: +27 (0) 14/577 26 07
E-mail: sales@yalelift.co.za
www.yale.co.za

Russia

COLUMBUS McKINNON Russia LLC

Chimitscheski Pereulok, 1, Lit. AB,
Building 72, Office 33
198095 St. Petersburg
Phone: +7 (812) 322 68 38
E-mail: info@yalekran.ru
www.yale.de

China

Hangzhou LILA

Lifting and Lashing Co. Ltd.*

3350 Nanhuan Road, Zhijiang Industrial Park
Hangzhou High-tech Zone
Zhejiang Province
Phone: +86 10 85 23 63 86
E-mail: inquiryasia@cmworks.com
www.yale-cn.com

COLUMBUS McKINNON (Hangzhou) Industrial Products Co. Ltd.*

No. 100 Luofeng Road
Xiaoshan, Yiqiao, Zhejiang Province
Postcode 311256
Phone: +86 10 85 23 63 86
E-mail: inquiryasia@cmworks.com
www.yale-cn.com

Thailand

Yale Industrial Products Asia (Thailand) Co. Ltd.*

525 Raj-u-thit Road
Hatyai, Songkhla 90110
Phone: +66 (0) 74 25 27 62
E-mail: supassara@yale-thailand.com
www.yale-thailand.com



*These subsidiaries belong to the matrix-certification-system according to EN ISO 9001:ff.