

PROSYSTEM®

• Light Crane System • Jib Cranes • ECH Electric Chain Hoist



PROSYSTEM® Light Crane System

PROSYSTEM® Light Crane System is a complete light crane system for industrial environments. It improves productivity of handling loads up to 2000 kg.

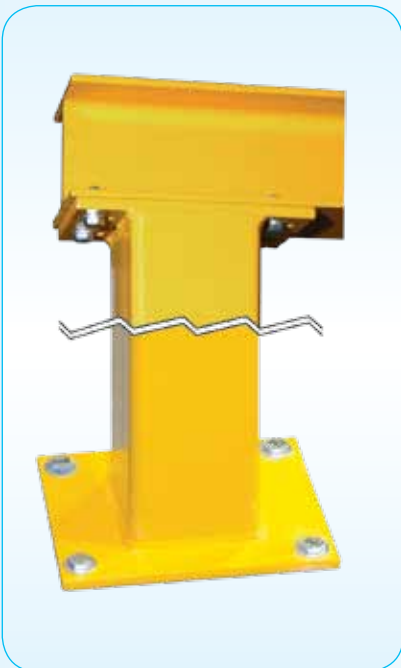
PROSYSTEM® helps you to increase assembly, production and maintenance efficiency. Choose in various ways compatible ERIKKILA-product and become a light crane professional with ERIKKILA-concept!



PROSYSTEM® can be equipped with different types of hoists. The most common hoist is standard electric chain hoist (ECH). Other options are manual, pneumatic and vacuum operated lifting devices.



Overload indicator as standard
– the safest ever light crane system.



All nut and bolt connections
– no welding required.





Superior delivery time of tailor made solutions.



Freestanding-construction as standard with equally short delivery times as cranes.



True end customer savings with suspension parts, supporting steel constructions and installation work.



Optimised profiles enable longer suspension distances.

PROSYSTEM® Light Crane System Profiles

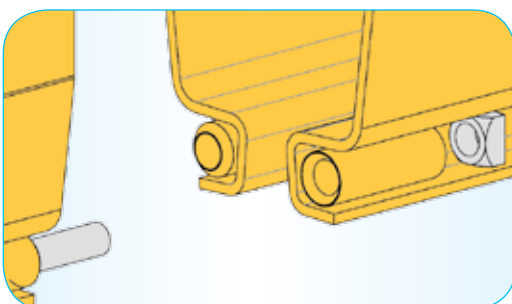
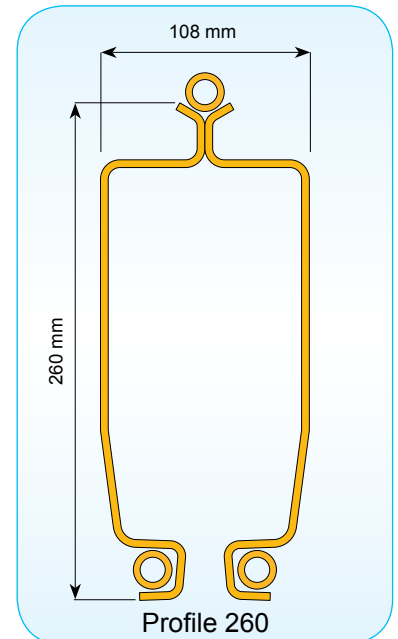
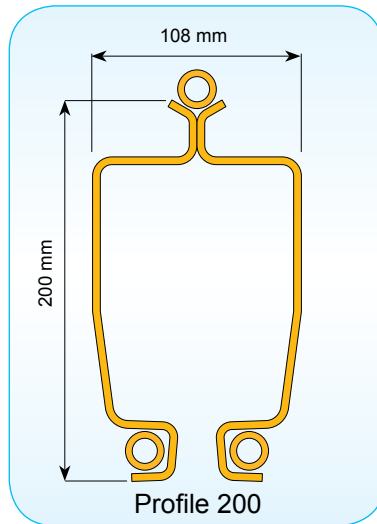
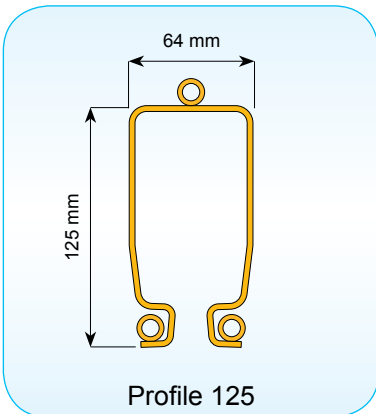
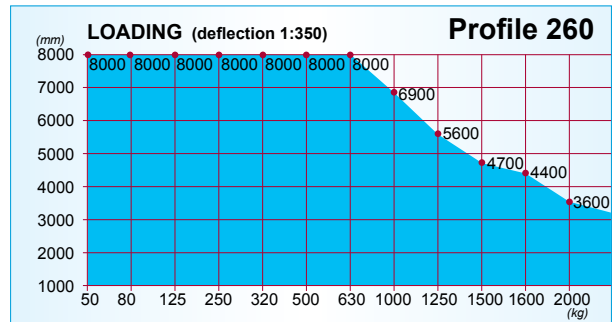
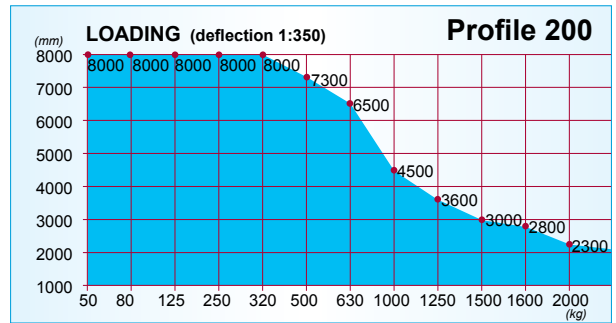
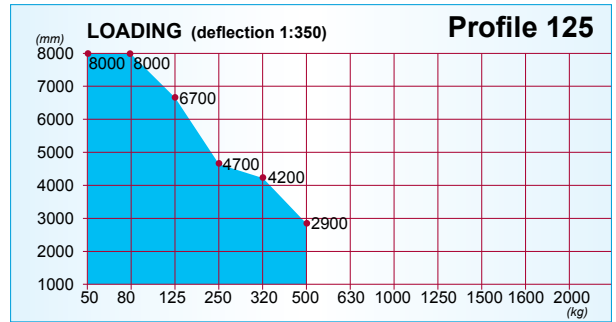
True savings

PROSYSTEM® Light Crane System is based on three optimised steel profiles. Profiles 125, 200 and 260 cover load range up to 2000 kg. The best weight carrying capacity ratio in the world ensures maximised suspension distances. This leads to true savings due less steel supporting construction, number of suspension components and installation time.

PROSYSTEM® Light Crane System is durable due to its closed profile construction which prevents the system from being exposed to dust. Profiles are surface treated with impact resistant powder coating. Standard profiles are delivered in full 1-8 meters in colour yellow RAL 1007. Other colours and surface treatments are available on request.

All connections in the system are bolt connections which make the system easy to install and adapt to changing layout needs.

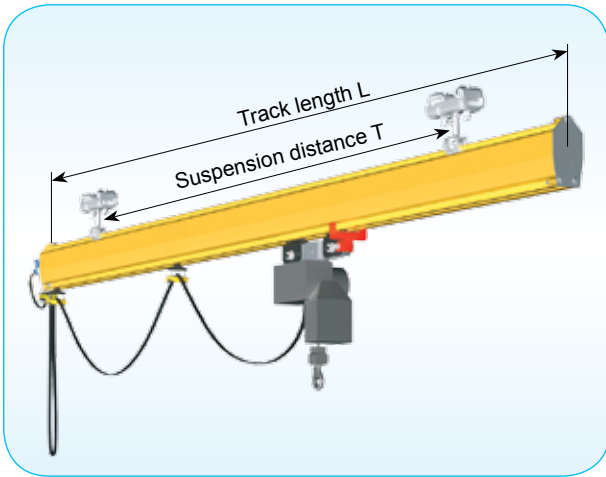
Patented trolley is nearly silent with a rolling resistance only approx. 1% of the moved load. PROSYSTEM® Light Crane System brings ergonomic and quality for the working environment.



Chamfer tubes / square nuts

- Guides the profiles together for precise travel surface
- Makes installation easier
- Ensures the smooth driving of trolleys through the joint at all loads.

Profiles	Weight kg/m	Wx cm ³	Ix cm ⁴
125	8,2	30	192
200	18,0	93	913
260	21,8	149	1918



PROSYSTEM® Light Crane System Hoist track

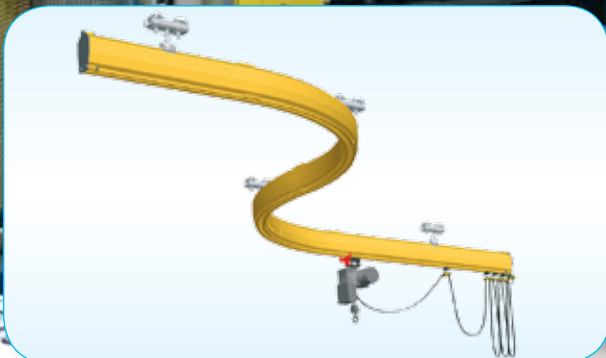
Economical

PROSYSTEM® Hoist track is a versatile solution for one-way moving and lifting problems up to 1500 kg loads.

PROSYSTEM® Hoist track is designed for easy assembly with standard joint connections and suspensions. It can be easily reconfigured to adapt changing conditions.

Hoist track							Tmax in meters (1/350)			
Profile	50 kg	80 kg	125 kg	250 kg	320 kg	500 kg	630 kg	1000 kg	1250 kg	1500 kg
125	8	7,8	6,6	4,7	4,1	-	-	-	-	-
200	8	8	8	8	8	7,2	6,2	4,4	3,6	3,1
260	8	8	8	8	8	8	8	7,1	5,5	4,9

8 m is profile max. standard length



Curves

PROSYSTEM® Hoist track with carrying capacity up to 1250 kg can be equipped with curves. Curves are available as 15°, 30° and 45° which can be freely connected with each other with joint connections. Curves are suspended to roof constructions with standard suspensions (see page 8).

PROSYSTEM® Hoist track with one curve can be equipped with flat cable electrical equipment. A system with more than one curve is equipped with conductor rail electrical equipment.

Other advanced parts as turn tables, switches and interlocks are also available for PROSYSTEM® Hoist track. See page 10 for more information.

Curves			
Profile	Angle	Radius (mm)	Loading (kg)
125	15°	700	125
	30°		
	45°		
200	15°	1500	1250
	30°		
	45°		

PROSYSTEM® Single and Double Girder Crane

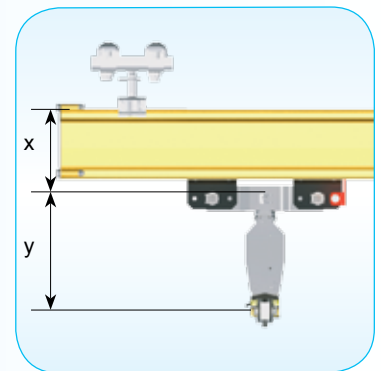
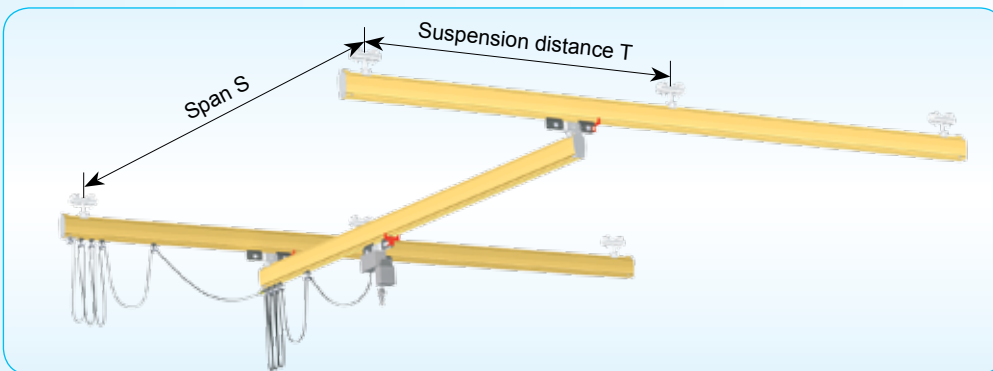
Ergonomic standard construction

PROSYSTEM® single and double girder crane is a user friendly personal work station crane. Its coverage is extensive and swinging of the load is minimized as the loaded push trolley centralises itself automatically to the right lifting position.

PROSYSTEM® single girder crane is the most ergonomic solution due to its three dimensional construction and light own weight. With a double girder crane the load capacity is doubled and lifting height increased as the hoist is suspended from a hoist saddle located between the bridge profiles.



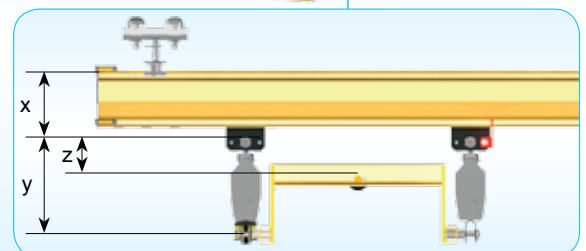
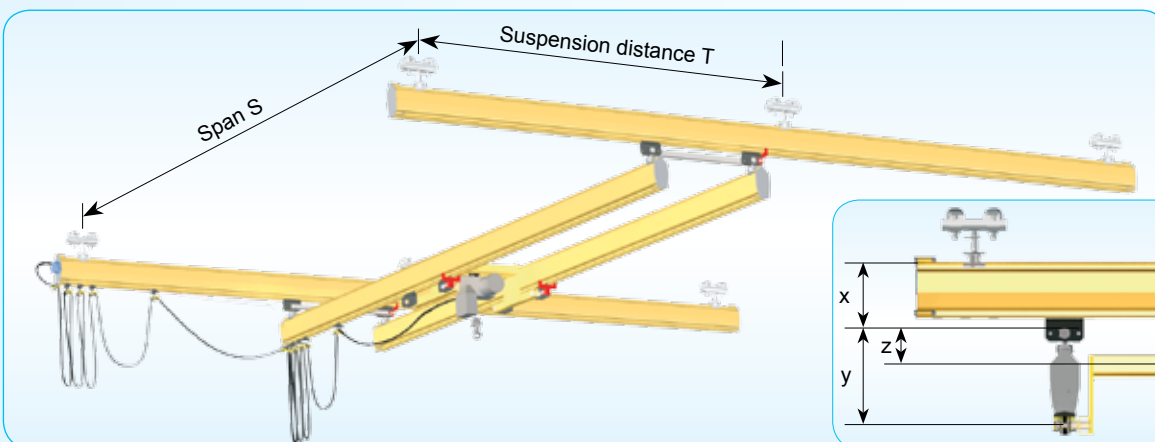
PROSYSTEM® single and double girder cranes can be suspended from roof construction with standard suspensions or mounted on the floor with freestanding support frames. See page 8 for more information.



Standard Single Girder Crane

Profile	x [mm]	y [mm]	S max / T max. in meters (1/350)									
			50 kg	80 kg	125 kg	250 kg	320 kg	500 kg	630 kg	1000 kg	1250 kg	1500 kg
125	166	253	8/8	7,8/7,4	6,6/6,6	4/4,3	3/3,8	-	-	-	-	-
200	243	331	8/8	8/8	8/8	8/8	8/8	7,1/6,8	6,2/6	4,4/4,3	3,6/3,4	3,1/2,9
260	303	391	8/8	8/8	8/8	8/8	8/8	8/8	8/8	6,6/6,2	5,5/5,7	4,7/4,4

8 m is profile max. standard length



Standard Double Girder Crane

Profile	x [mm]	y [mm]	z [mm]	S max / T max. in meters (1/350)											
				80 kg	125 kg	250 kg	320 kg	500 kg	630 kg	1000 kg	1250 kg	1500 kg	1600 kg	2000 kg	
125	166	253	111	8/6,5	8/5,1	6/4	5/3,5	4/-	-	-	-	-	-		
200	243	331	134	8/8	8/8	8/8	8/8	8/6,4	8/5,7	7,2/4,3	6,5/3,7	5,3/3,2	5/3,1	4/2,7	
260	303	391	134	8/8	8/8	8/8	8/8	8/8	8/8	8/8	8/6,1	8/5,2	8/4,6	7,6/4,4	6,4/3,8

8 m is profile max. standard length

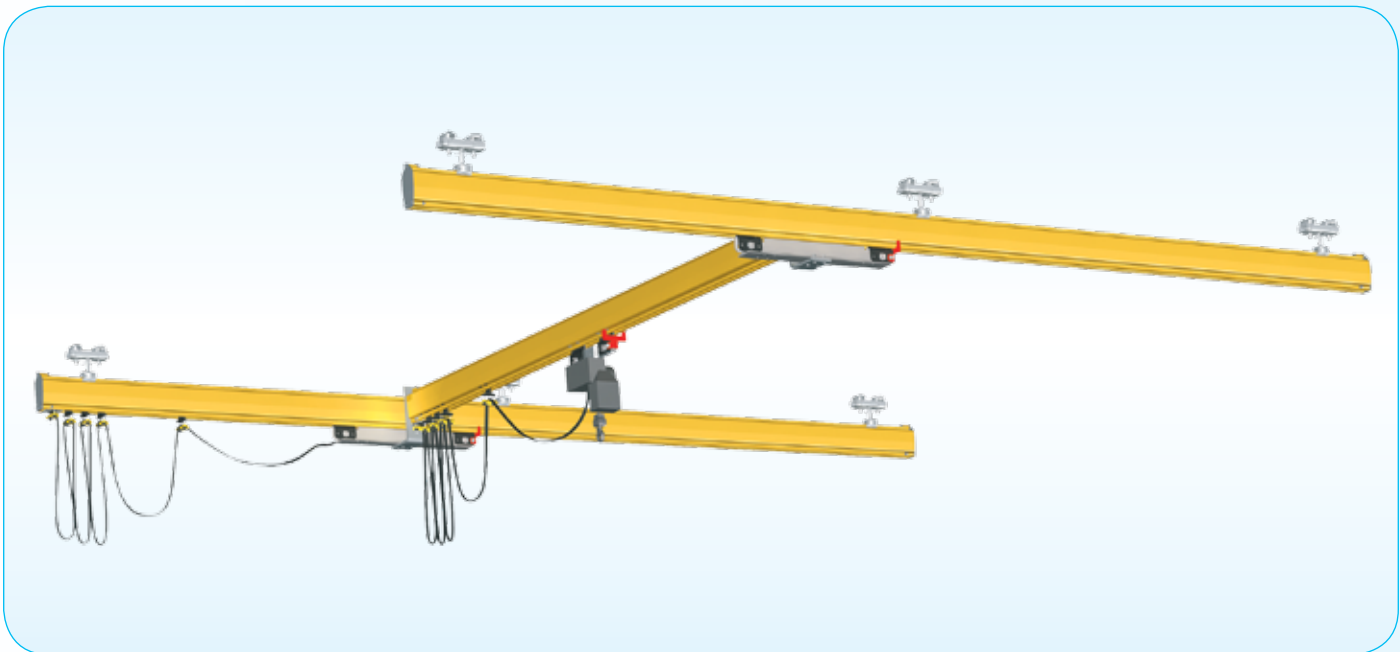


PROSYSTEM® Single and Double Girder Crane

Low headroom raised construction

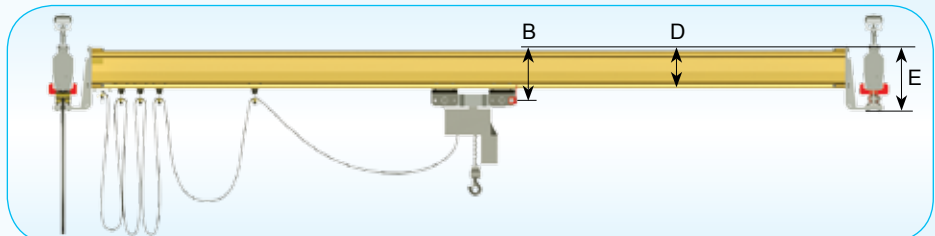
Original ERIKKILA –innovation for super low headroom!

PROSYSTEM® single or double girder crane with a raised construction is the right choice when the lifting height has to be maximised. Raised construction is designed for locations with limited headroom where standard construction would not bring the required lifting height. The bridge profiles of raised construction are raised between the tracks profiles to increase lifting height. A system with a raised bridge can be suspended from existing ceiling construction or from Freestanding support frames. See page 8 for more information.



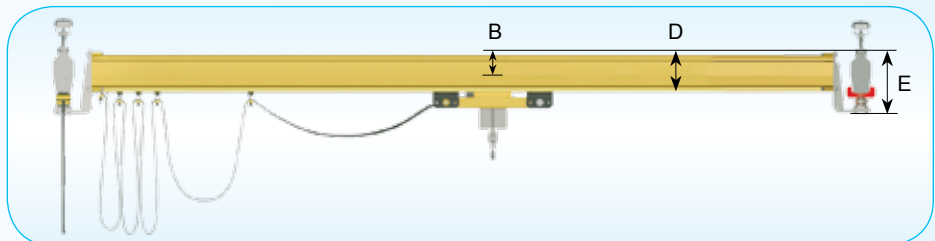
Raised Single Girder Crane

Profile		[mm]		
Track	Bridge	E	D	B
125	125	233	133	174
200	200	313	201	246
260	260	373	261	306



Raised Double Girder Crane

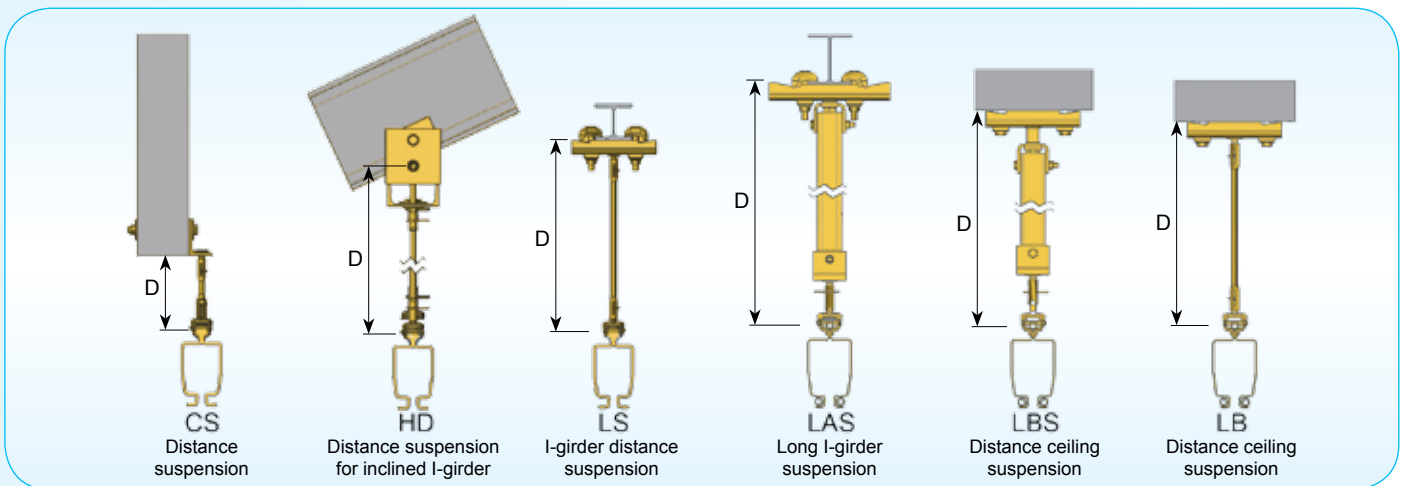
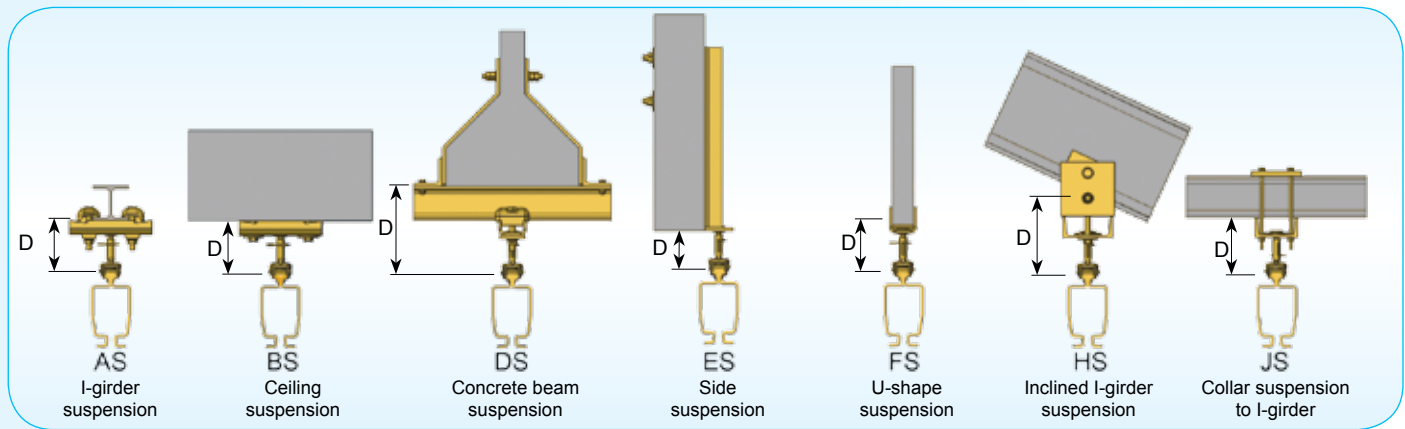
Profile		[mm]		
Track	Bridge	E	D	B
125	125	233	133	31
200	200	313	201	49
260	260	373	261	49



PROSYSTEM® Articulating suspensions

Large variety as standard

PROSYSTEM® Light Crane System includes various different types of articulating standard suspensions to mount the crane to the ceiling construction. The articulation ensures for its part the light and ergonomic usage of the system.



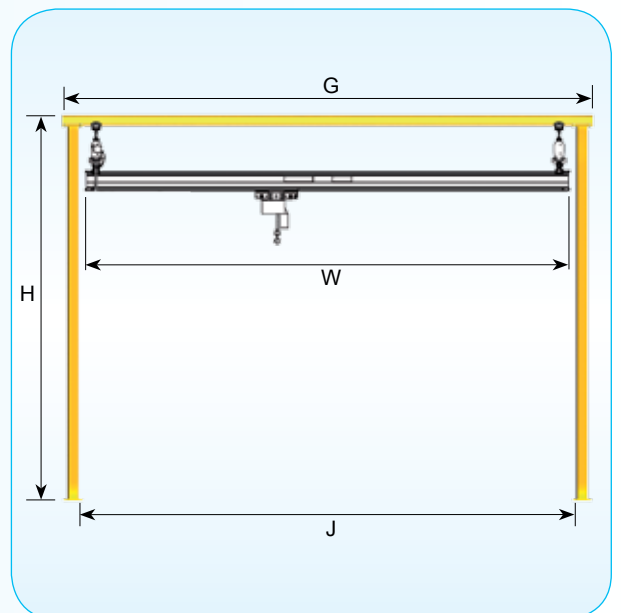
Standard Suspensions

Profile	Suspension type, distance D [mm]												
	AS	BS	DS	ES	FS	HS	JS	CS	HD	LS	LAS	LBS	LB
125	123 ±15	123 ±15	218 ±15	105 ±15	105 ±15	210 ±15	-	<500*	<260*	<500*	≤3000	≤3000	<500*
200/260	167 ±16	167 ±16	271 ±16	136 ±16	139 ±16	248 ±16	176 ±16	<500*	<260*	<500*	≤3000	≤3000	<500*

* when distance more side supports must be used

PROSYSTEM® Freestanding –support frames

PROSYSTEM® Freestanding -support frames are designed for locations where the ceiling cannot carry the crane load. They are also a perfect solution for cases where there is a need to reposition the cranes to allow changes in layout. Frames are produced on the same production line as the profiles ensuring concurrent delivery time.



Freestanding -support frames

Loading	50-2000 kg
Single or Double Bridge width (W)	2 - 8 m
Total width (G)	4,5 - 8,56 m
Frame width (J)	4,18 - 8,16 m
Total height (H)	3 - 4 - 5 m

PROSYSTEM®

Power

PROSYSTEM® Light Crane System is delivered with high quality flat cable electrical equipment including flat cable trolleys running inside the profile as standard. Optionally the flat cable electrical feeding can be assembled on a C-rail.

Optionally to flat cable electrical equipments the crane system can be delivered with enclosed or open conductor bars. Enclosed conductor bar is installed aside the profile and open conductor bar aside or inside the profile.

In cases where manual operation of the crane is not possible the system can be equipped with electrical power trolleys. Electrical movements can be controlled with a pendant control, remote control or with a combination of these.



Advanced parts

PROSYSTEM® Light Crane System is available with standard advanced parts to solve even most challenging lifting problems.

Switch may be used with PROSYSTEM® hoist tracks of profile type 200 to connect two systems with each other. Switch is suitable for loadings up to 1250 kg. Switch is delivered hand operated as standard but is optionally also available as pneumatic or electric functioning.

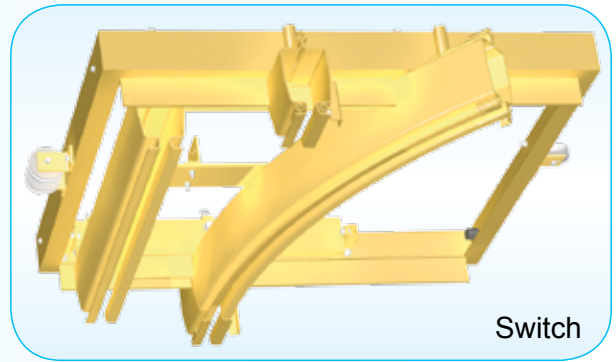
A system including a switch is recommended to be equipped with conductor rail electrical equipment. Switch is suspended from ceiling construction with standard suspensions (see page 8). Switch is delivered ready factory assembled.

Turn table can be used with PROSYSTEM® hoist tracks of profile type 200 to connect several systems together. Turn table is suitable for loads up to 1250 kg. Turn table is delivered pneumatic operated as standard but is also optionally available as electric operated.

As system including a turn table is recommended to be equipped with a conductor rails electrical feeding. Turn table is suspended from ceiling with standard suspensions (see page 8). Turn table is delivered ready factory assembled.

Telescopic crane construction can be used to widen the working area of PROSYSTEM® Single Girder Crane of profiles 200 for loads up to 250 kg. The maximum overhang from the end of the bridge is 1000 mm.

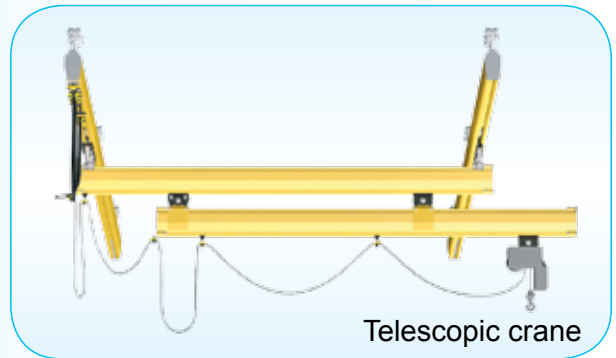
Track lock enables movement of load from one PROSYSTEM® bridge crane system to a hoist track. The hoist trolley may pass the track lock only as the track lock is connected. Track lock is electrical operated and automatically positioning. A system with a track lock is recommended to be equipped with conductor rail electrical equipments.



Switch



Turn table



Telescopic crane



Track lock



Lowering station

A lowering station can be used with either for product assembly or feeding products in/out of the PROSYSTEM® crane system. Maximum loading of a lowering station is 1250 kg. A lowering station is available in different lengths and lifting heights according to customer requirements.

ERIKKILA® Taylor made systems

Innovation

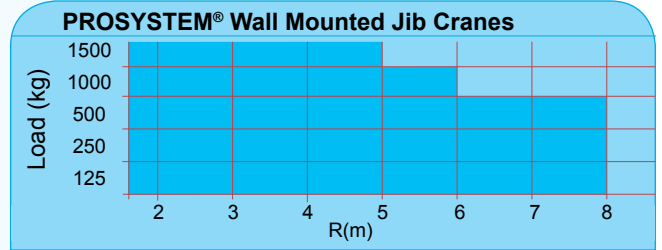
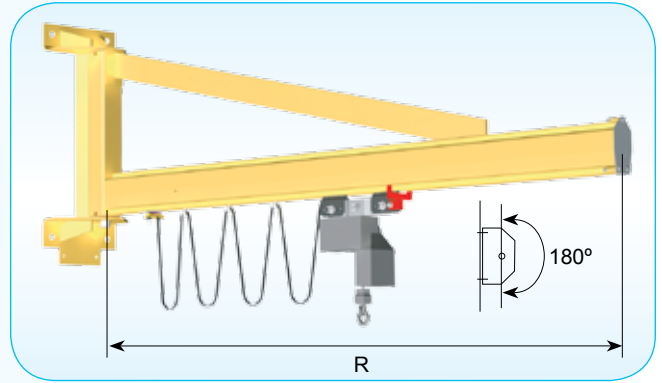
ERIKKILA is a company specialised in lifting techniques and has several years of experience of the field. Experience from several demanding applications is the best guarantee that the products are of high quality and that the company has an ability to carry out special and individual solutions.



PROSYSTEM® Wall Mounted Jib Cranes

Versatile

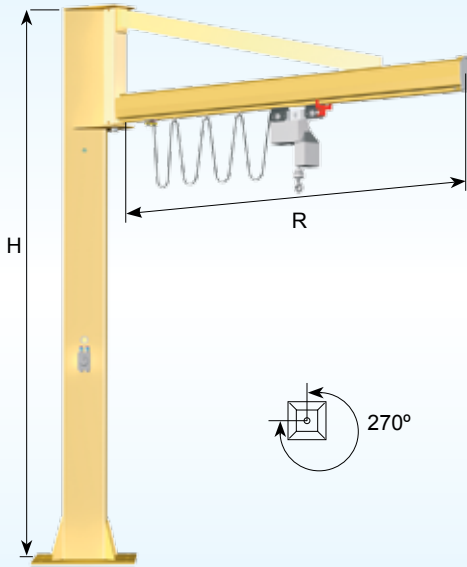
PROSYSTEM® Wall mounted jib crane is a perfect solution for a work station which is near a wall or other vertical element. Wall mounted jib crane can be mounted under a bridge crane on any requested height and it requires only little space.



PROSYSTEM® Column Mounted Jib Cranes

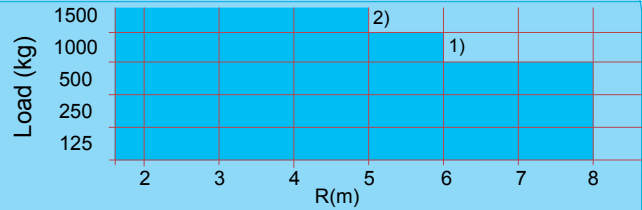
Light to use

PROSYSTEM® Column mounted jib crane is suitable in cases where there is no mounting support for wall mounted jib cranes. The height of the column is specified according to the lifting height required. High quality bearing ensures lightness of use and ergonomics.



standard H: 3-6 m depending on the load.

PROSYSTEM® Column Mounted Jib Cranes



1) max. column height 5m, 2) max. column height 4,5 m

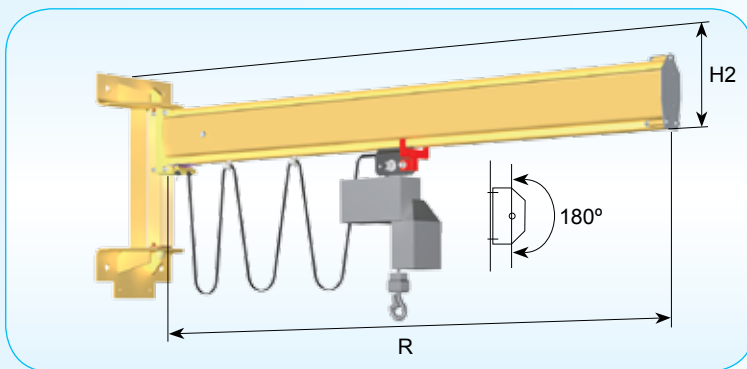


PROSYSTEM® Little-John Jib Cranes for low headroom applications

Easy and simple

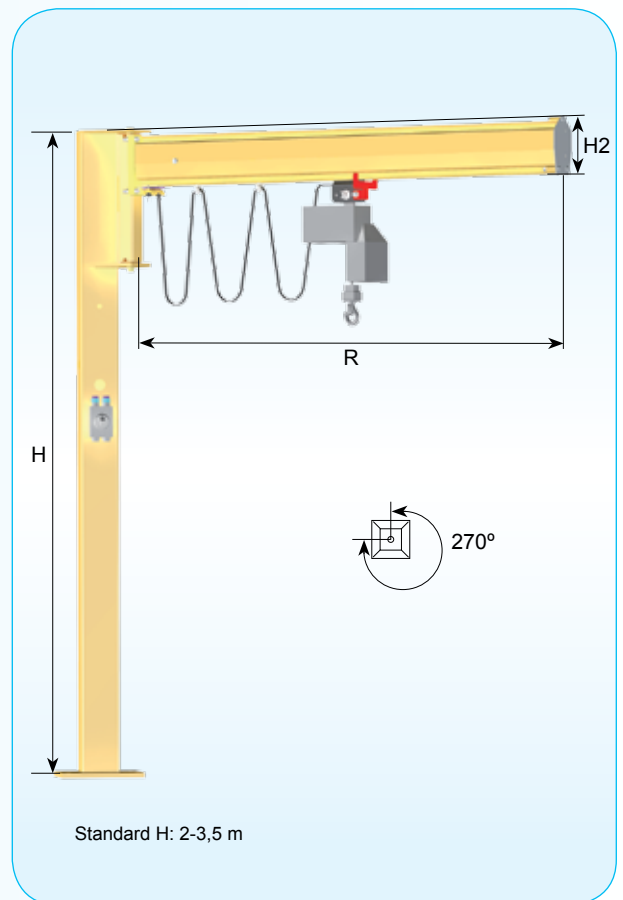
The low construction of Little-John jib crane is an optimal solution for applications where the space available has to be utilized as efficiently as possible. Little-John jib crane is versatile and simple bringing ergonomics and productivity to work places. It is an excellent solution to be used with electric or manual chain hoist as well as with various balancers, lifting devices and, for example, to carry a welding machine. Installation of a Little-John jib crane is extremely easy and simple.

Little-John jib cranes are available both wall and column mounted for a load range of 30-250 kg. The maximum jib length is 3 m and column height 3,5 m.



PROSYSTEM® Little-John Wall Mounted Jib Crane		
Load (kg)	R (m)	H2 (mm)
30	1	285
	2	
	3	
50	1	285
	2	
	3	
80	1	285
	2	
	3	
125	1	285
	2	
	3	
250	1	285
	2	
	3	

PROSYSTEM® Little-John Column Mounted Jib Crane		
Load (kg)	R (m)	H2 (mm)
30	1	180
	2	
	3	
50	1	180
	2	
	3	
80	1	180
	2	
	3	
125	1	180
	2	
	3	
250	1	180
	2	
	3	



ECH Chain Hoist 125-2000 kg

ECH electrical chain hoist is a high quality chain hoist with compact design and robust construction. ECH chain hoist is made for industrial use having body and covers completely built in aluminium. It also has the best overload protection due to double slip clutch and highest safety with brake positioned after the slip clutch. ECH chain hoist is also silent working thanks to helical gears.

The disc brake system of ECH chain hoist is maintenance free and slipping clutch can be easily adjusted. No special tools or electronic devices are required. ECH chain hoist has a low voltage control of 42 V as standard. ECH chain hoist is suitable for all PROSYSTEM® Light Crane Systems and Jib Cranes.



ERIKKILA ECH Electric Chain Hoist

KG	Lifting height (m)	Lifting speed (m/min)	Chain falls	FEM-/ISO-Classification
125	3-6	8/2	1/1	3m / M6
250	3-6	8/2	1/1	1Bm / M3
320	3-6	4/1	2/1	2m / M5
500	3-6	8/2	1/1	1Bm / M3
	3-6	4/1	2/1	1Bm / M3
630	3-6	4/1	2/1	2m / M5
1000	3-6	8/2	1/1	1Bm / M3
	3-6	4/1	2/1	1Bm / M3
1250	3-6	4/1	2/1	2m / M5
1600	3-6	4/1	2/1	1Am / M4
2000	3-6	4/1	2/1	1Bm / M3

Voltage: 3 Ph 380/420V, 50 Hz



ERIKKILA®

PASSION IN CRANES

[Finland] Sales, Service and Production

ERIKKILA OY

Masalantie 225
FI-02430 MASALA

T: +358 9 2219 0530

F: +358 9 297 5021

E: sales@erikkila.com

[Estonia] Sales, Service and Production

OÜ Eesti Kraanavabrik

Tähetorni 21 A
EE-11625 TALLINN

T: +372 6755 070

F: +372 6755 071

E: kraana@erikkila.com

[Russia] Sales and Service Office

OOO Erikkila

Ul. Vozrozhdenia 31 A, Office 204
198188 ST. PETERSBURG

T: +7 812 332 2843

F: +7 812 332 2843

E: ooo@erikkila.com

[Lithuania] Sales Office

ERIKKILA UAB

Meistrų st. 8A
LT-02189 VILNIUS

T: +370 5 239 93 63

F: +370 5 239 93 60

E: sales.lt@erikkila.com

[Germany] Sales Office

ERIKKILA Deutschland

ERIKKILA OY
Reisholzer Werftstraße 76
D-40589 DÜSSELDORF

T: +49 211 5426 0080

F: +49 211 5426 0099

E: sales.de@erikkila.com

Distributor:

www.erikkila.com

