

Technical data model YaleERGO 360®

Model	Art.-No.	Capacity kg	Number of chain falls	Chain dimensions d x p in mm/ variant	Lift with one full lever turn mm	Handle pull at WLL daN	Handle pull at WLL with crank daN	Weight at standard lift (1.5 m) kg
YaleERGO 360 750	192028204	750	1	5,6x17.1 - T	27.2	21	20	6.7
YaleERGO 360 1500	192028202	1500	1	7.1x21 - T	21.7	31	24	9.6
YaleERGO 360 3000	192028553	3000	1	10x28 - V	20.1	43	35	17.2
YaleERGO 360 6000	192035451	6000	2	10x28 - V	10.1	46	37	28.9
YaleERGO 360 9000	192039362	9000	3	10x28 - V	6.7	50	41	49.5

Dimensions model YaleERGO 360®

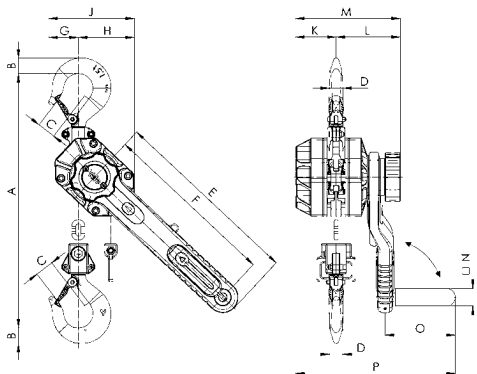
Model	YaleERGO 360 750	YaleERGO 360 1500	YaleERGO 360 3000	YaleERGO 360 6000	YaleERGO 360 9000
A min., mm	320	375	445	563	695
B, mm	20	26	37	45	68
C, mm	27	31	40	44	68
D, mm	18	21	28	35	50
E, mm	327	327	377	377	377
F, mm	300	300	350	350	350
G, mm	40	51	57	71	116
H, mm	81	96	123	162	199
J, mm	121	147	180	233	315
K, mm	56	69	86	86	86
L, mm	105	110	121	121	121
M, mm	161	179	207	207	207
N, mm	30	30	30	30	30
O, mm	120	120	120	120	120
P, mm	257	273	299	299	299

OPTION:

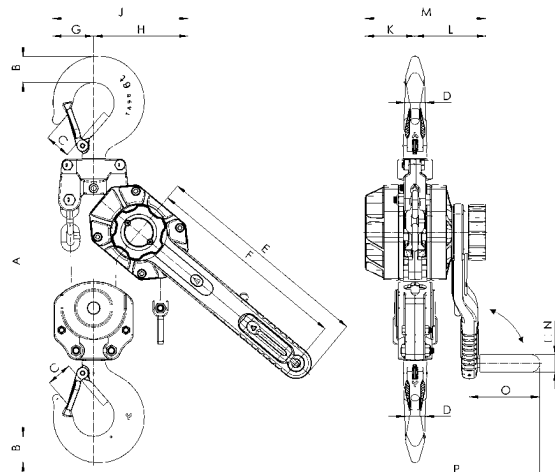
SHIPYARD HOOKS

for capacities
1500 and 3000 kg.

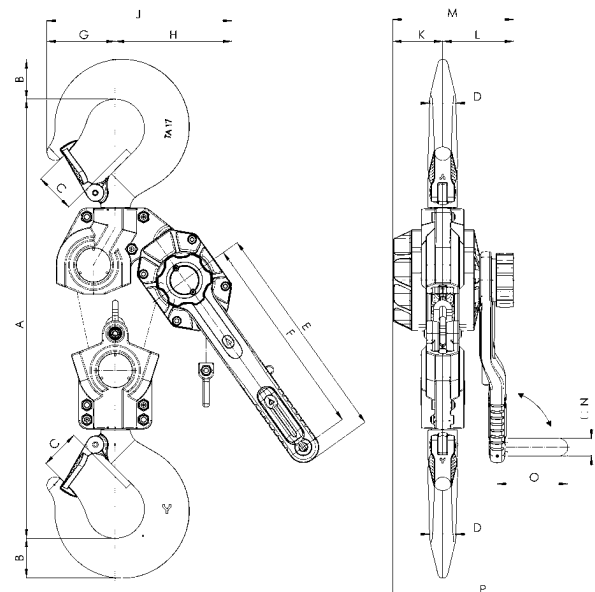
Based on a special
design the shipyard
hooks can be fixed to
avoid slipping
(resp. on steel plates
which were braced
for welding).



Model YaleERGO 360, 750 - 3000 kg, single fall



Model YaleERGO 360, 6000 kg, double fall



Model YaleERGO 360, 9000 kg, three fall